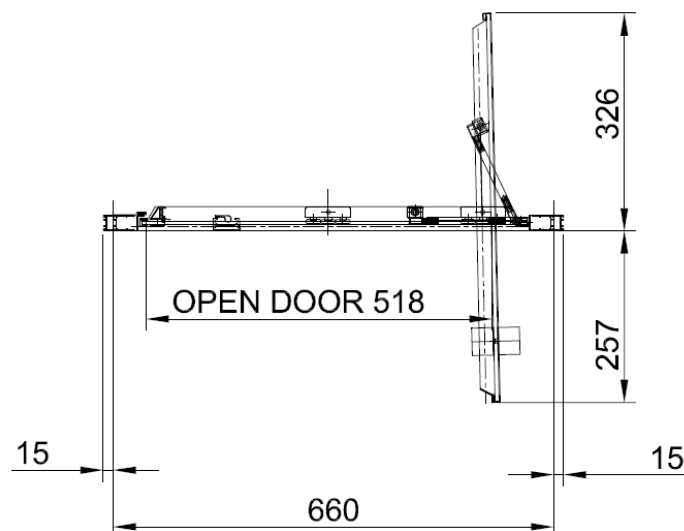
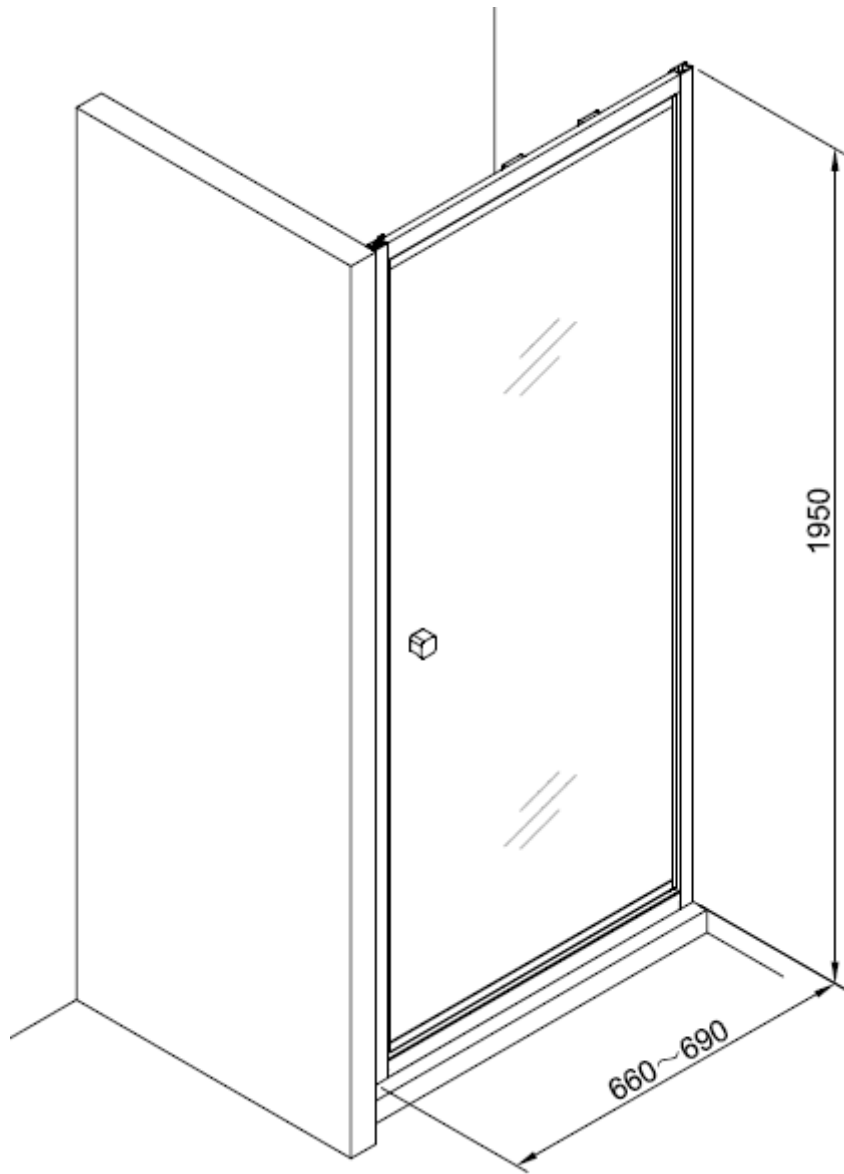
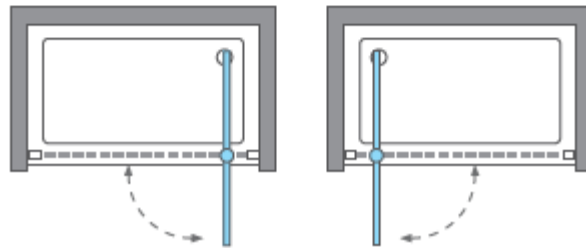
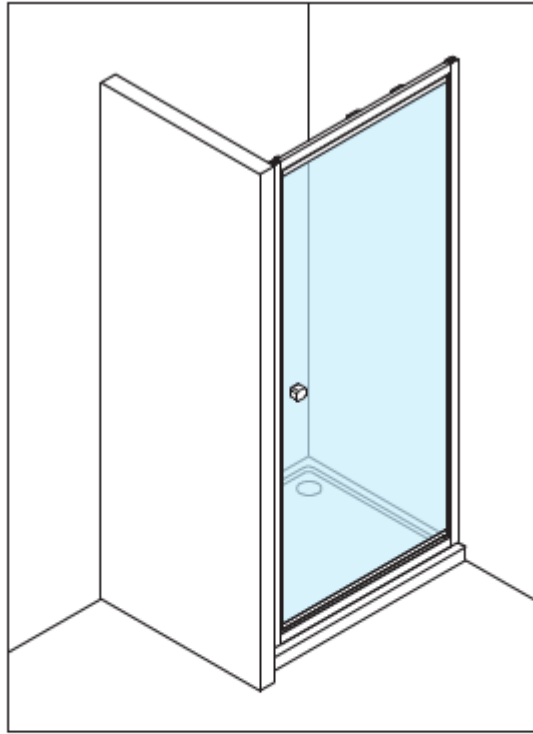




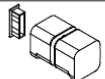



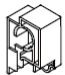
Measurements in millimetres mm
Information updated January 2020
Tel 0345 873 8840

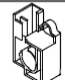

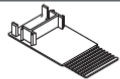
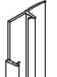



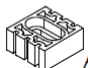

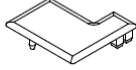
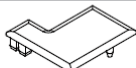

CLEAR 6 INFOLD DOOR
CAIDSC0700

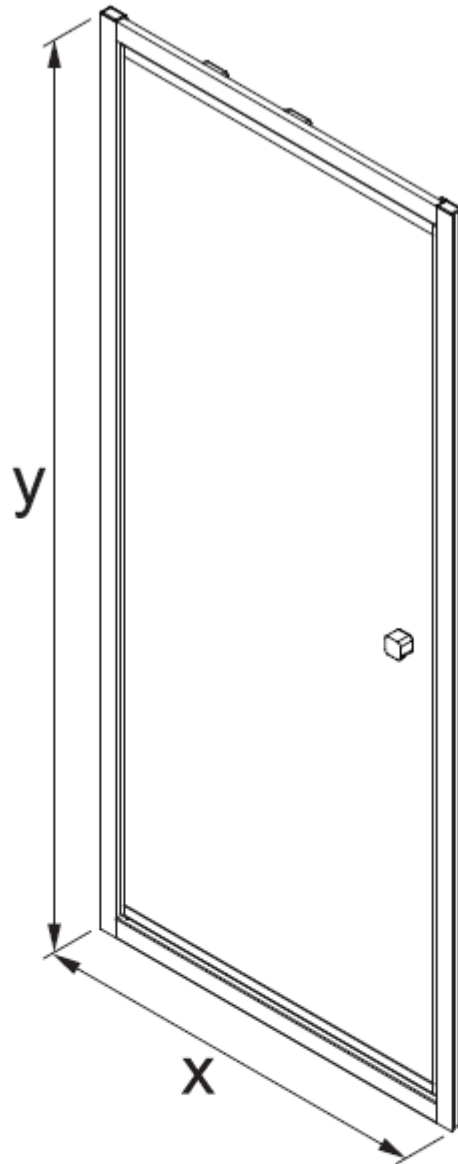




| | | |
|---|---|--------------------|
| A |  | M4 *40mm Screw x 6 |
| B |  | Wall Plug x 6 |
| C |  | Handle x 1 |
| D |  | Sleeve x 1 |
| E |  | Cover x 3 |
| F |  | Filler x 4 |
| G |  | Cover x 1 |

| | | |
|---|---|----------------------|
| H |  | Cover x 1 |
| I |  | Cover x 2 |
| J |  | Top Cap x 2 |
| K |  | Waterproof strip x 1 |

| | | |
|----|---|----------------------|
| AA |  | M4 *20mm Screw x 1 |
| AB |  | Adjustment block x 1 |
| AC |  | Top Cap x 1 |
| AD |  | Top Cap(LH) x 1 |
| AE |  | Top Cap(RH) x 1 |
| AF |  | Filler x 2 |



| Model | x (mm) | y (mm) |
|------------|---------|--------|
| CAIDSC0700 | 660~690 | 1950 |
| CAIDSC0760 | 720~750 | 1950 |
| CAIDSC0800 | 760~790 | 1950 |
| CAIDBC0800 | 760~790 | 1950 |
| CAIDSC0900 | 860~890 | 1950 |
| CAIDBC0900 | 860~890 | 1950 |
| CAIDSC1000 | 960~990 | 1950 |
| CAIDBC1000 | 960~990 | 1950 |