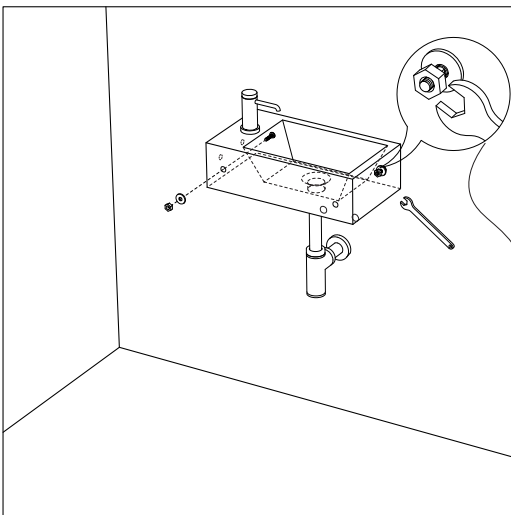
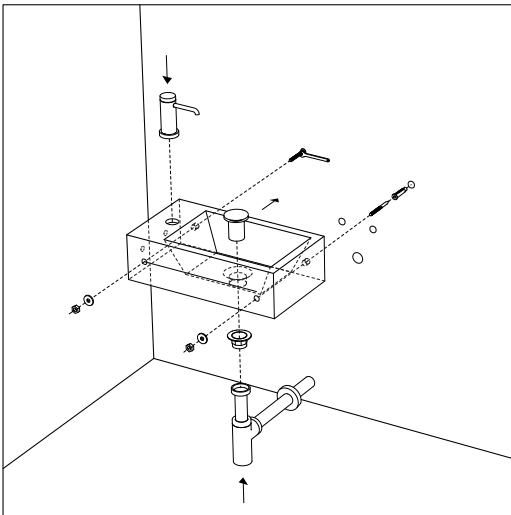
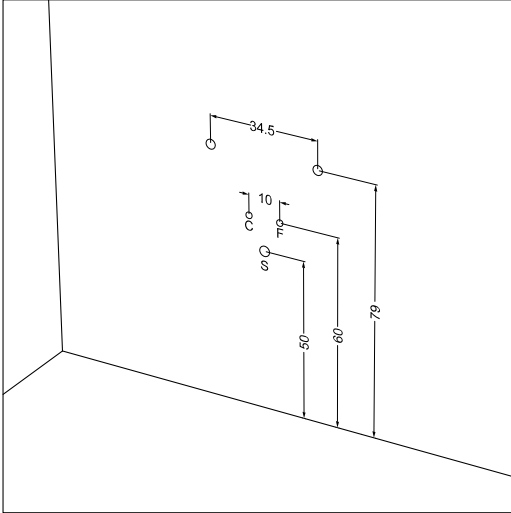


POPOLO Mini Wall Hung Basin

RIGHT/LEFT HAND & REAR TAP HOLE MODELS

WM4825SCxx_RH WM4825SCWM_LH

INSTALLATION



Max Force 5nm

POPOLO Mini Wall Hung Basin

RIGHT/LEFT HAND & REAR TAP HOLE MODELS

Cleaning Instructions

In general, always dry the surfaces using a microfibre cloth to prevent the formation of limescale stains. Always respect the installation times indicated on the detergent packages and do not use different products at the same time. It is not recommended to use any type of abrasive detergent, alcohol-based or strongly acid/basic detergents and disinfectants (e.g. detergents containing hydrofluoric acid or basic solutions such as caustic soda), nitrous solvents and acetone. To maintain the ceramic's characteristics unaltered, regular washing with water and a non-abrasive detergent (gel, cream or spray) based on bleach, using a soft non-abrasive sponge, is sufficient to eliminate soap residues and prevent the formation of limescale. When cleaning the inside of the toilet, always leave the tray cover (lid and seat) up to prevent exhalations from compromising the surface. For limescale incrustations, white vinegar packs or vinegar-based products can be used. For white or coloured, opaque or polished ceramics, the procedure and cleaning products are the same.