

PRODUCT DATA SHEET



PRODUCT CODE

PRO043F

RANGE

MPRO Accessories

DESCRIPTION

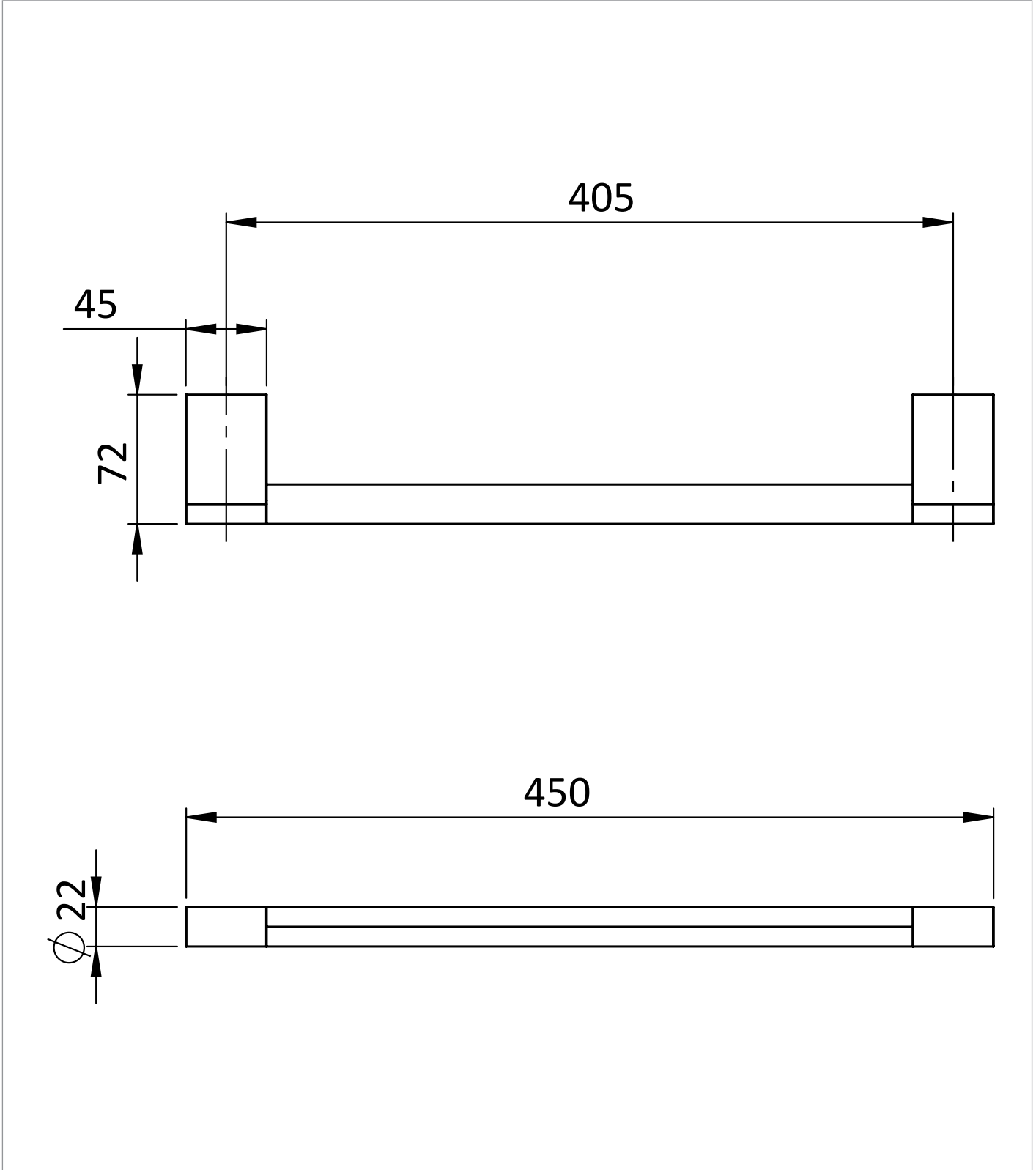
MPRO Towel Rail 450mm Brushed Brass

CATEGORY	Accessories
WARRANTY DETAILS	15 Years
COLOUR	Brushed Brass
FINISH APPLICATION	PVD
PRIMARY MATERIAL	Brass
SECONDARY MATERIAL	Zamac
INSTALL TYPE	Wall Mounted
PRODUCT WIDTH MM	450
PRODUCT HEIGHT MM	22
PRODUCT DEPTH MM	72
PRODUCT NET WEIGHT KG	1

TECHNICAL DIMENSIONS

Dimensions in mm unless otherwise specified.

Tolerances (per material type) apply.



SPARES LIST

Only the parts labelled are available as spares.

SPARES AVAILABLE UPON REQUEST