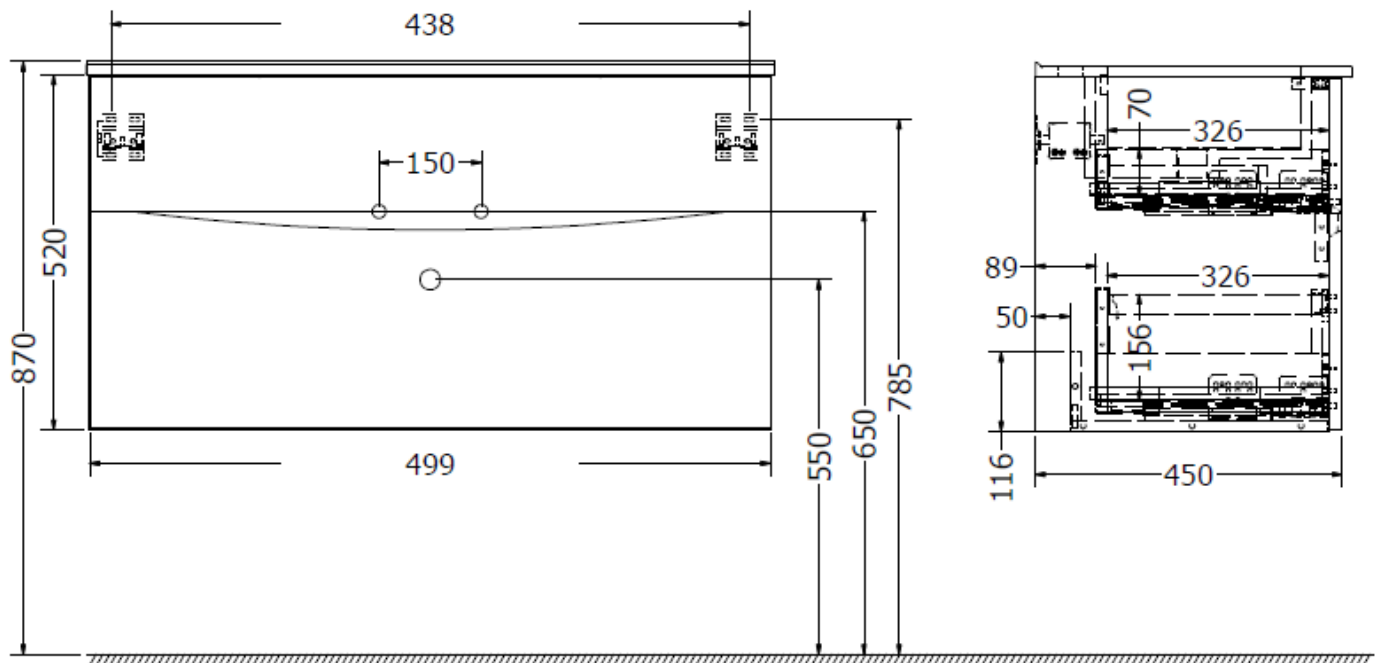


Glide II 500mm FURNITURE

TECHNICAL DATA		SPECIFICATION	
CODE No UNIT	GL5000DXX+	Installation Information:	The intended installation wall needs to be strong enough for the weight of the furniture and basin. Wall fixings for solid walls included. Laminate finishes/lacquer tested to ISO 22196 Measurement of antibacterial activity Graded Strong value of anit-bacterial effect A>3
Required top	Ceramic basins - see prevailing Crossater Catalogue Cast Marble basins - see prevailing Crosswater catalogue Glass basins - see prevailing Crossater catalogue Solid surface worktop - see prevailing Crossater catalogue		
Recommended use:	Domestic, residential		
Dimension Unit	w 500 x d 450 x h 520mm		
Installation:	Wall Hung		
Materials:	Carcass and drawer front 18mm MDF Drawer set 18mm MDF		
Specification:	Full extension soft close drawers - 30kg weight capacity Anti-tip wall hangers 120kg capacity		
Weight:	25.12kg		
Fitting:	Wall hangers integrated into carcass 3 way adjustable Wall brackets supplied		
Required Fitting:	Compatbile to basin requirement		
Advised Fitting:	Space saving 50mm seal trap BTR0510W		
Option Accessories:	BTR0410W and BTR0510W basin traps		
Warranty	10 years on furniture		



Measurements in millimetres mm

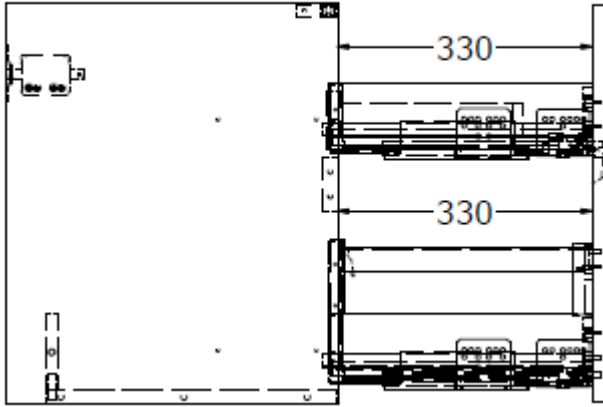
Information updated May 2021

Tel 0345 873 8840



GLIDE II 500mm FURNITURE

Side View—drawer extension



Plan View

