

# PRODUCT DATA SHEET



## PRODUCT CODE

TLCB1500LBPS

## RANGE

Crossbox

## DESCRIPTION

3ONE6 Lever Crossbox 2 Outlet Trim & Valves Stainless Steel

WEBSITE LINK [Click Here](#)

CATEGORY	Brassware
WARRANTY DETAILS	15 Years
COLOUR	Stainless Steel
FINISH APPLICATION	Raw/Natural
PRIMARY MATERIAL	316 Stainless Steel
INSTALL TYPE	Wall Mounted
PRODUCT WIDTH MM	130
PRODUCT HEIGHT MM	115
PRODUCT LENGTH MM	180
PRODUCT NET WEIGHT KG	2.66
STANDARDS	EN 1111:2017

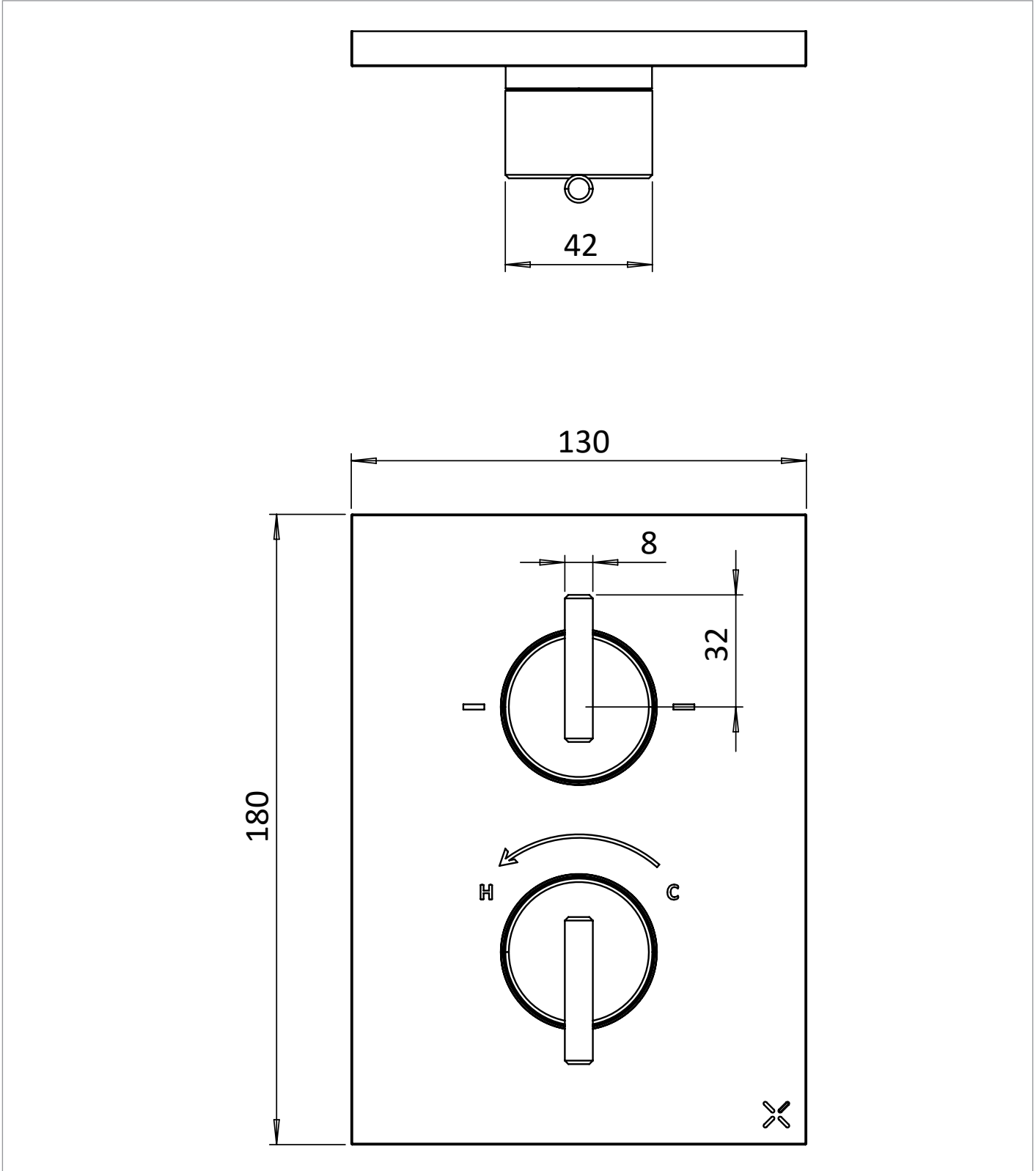
MINIMUM PRESSURE (BAR)	0.5
MAX WORKING PRESSURE (BAR)	5
NUMBER OF OUTLETS	2
NUMBER OF FUNCTIONS	2
HEADWORK	Vernet VT28
INLET CONNECTIONS THREAD	G1/2"
OUTLET CONNECTIONS THREAD	G1/2"
WASTE INCLUDED	No
ANTI-SCALD	Yes
ENERGY SAVING	No
SHOWER HOSE & HANDSET ARE INCLUDED	No

PRESSURE (BAR)	0.2	0.5	1	2	3	4	5
PRIMARY FLOWRATE			12.7	18.2	22.5	26	29
HANDSET FLOWRATE							
MESSAGE FLOW RATE							
AIR FLOW RATE							
WIRE FLOW RATE							
WATERFALL FLOW RATE							
MIST FLOW RATE							
HANDSPRAY FLOW RATE							

## TECHNICAL DIMENSIONS

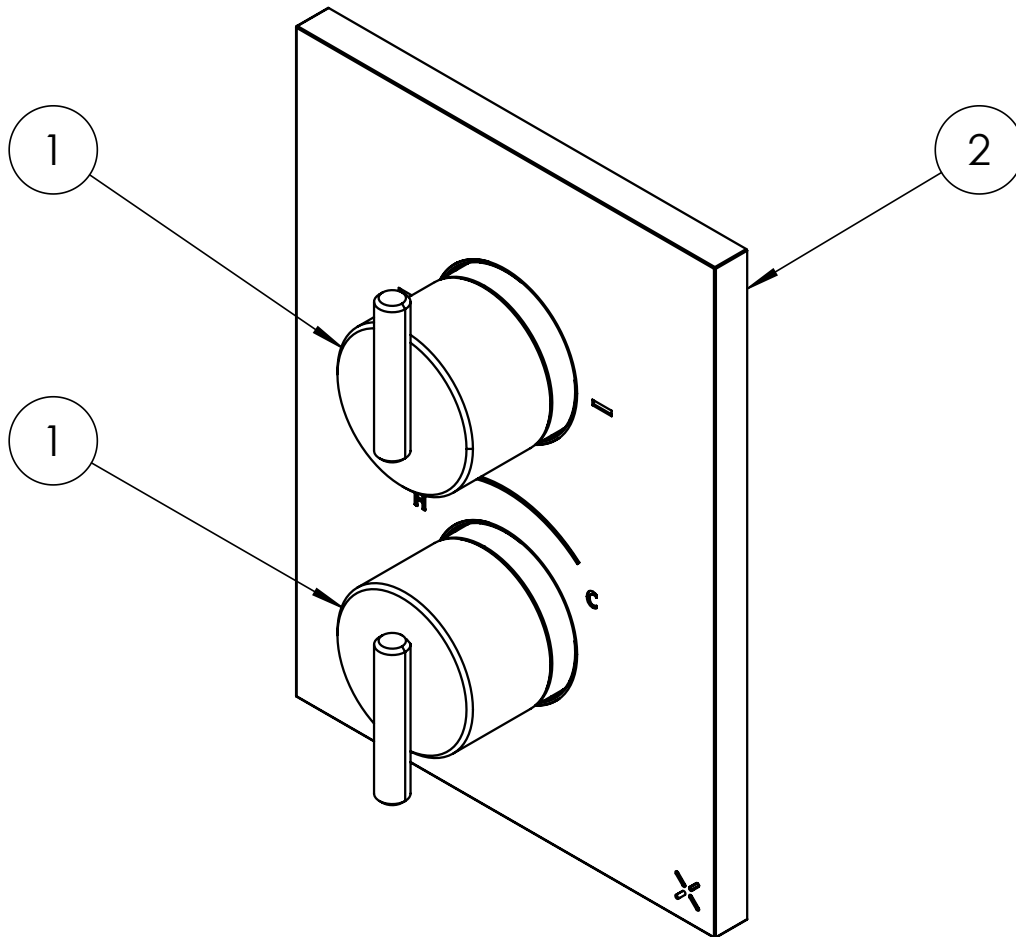
Dimensions in mm unless otherwise specified.

Tolerances (per material type) apply.



## SPARES LIST

Only the parts labelled are available as spares.



NUMBER	PART CODE	DESCRIPTION
1	E005090.310HESC	Handles and rods 3ONE6 Lever Brushed Stainless Steel
	E005090.382HESC	Handles and rods 3ONE6 Lever Brushed Brass
	E005090.393HESC	Handles and rods 3ONE6 Lever T Finish
2	E034003.310ZLSC	Plate for 3ONE6 2 Ways (TLCB1500LBPS ) Brushed Stainless Steel
	E034003.382ZLSC	Plate for 3ONE6 2 Ways (TLCB1500LBPSF ) Brushed Brass
	E034003.393ZLSC	Plate for 3ONE6 2 Ways (TLCB1500LPST) Brushed Stainless Slate