

# PRODUCT DATA SHEET



## PRODUCT CODE

GBA7232C

## RANGE

Grab Bars

## DESCRIPTION

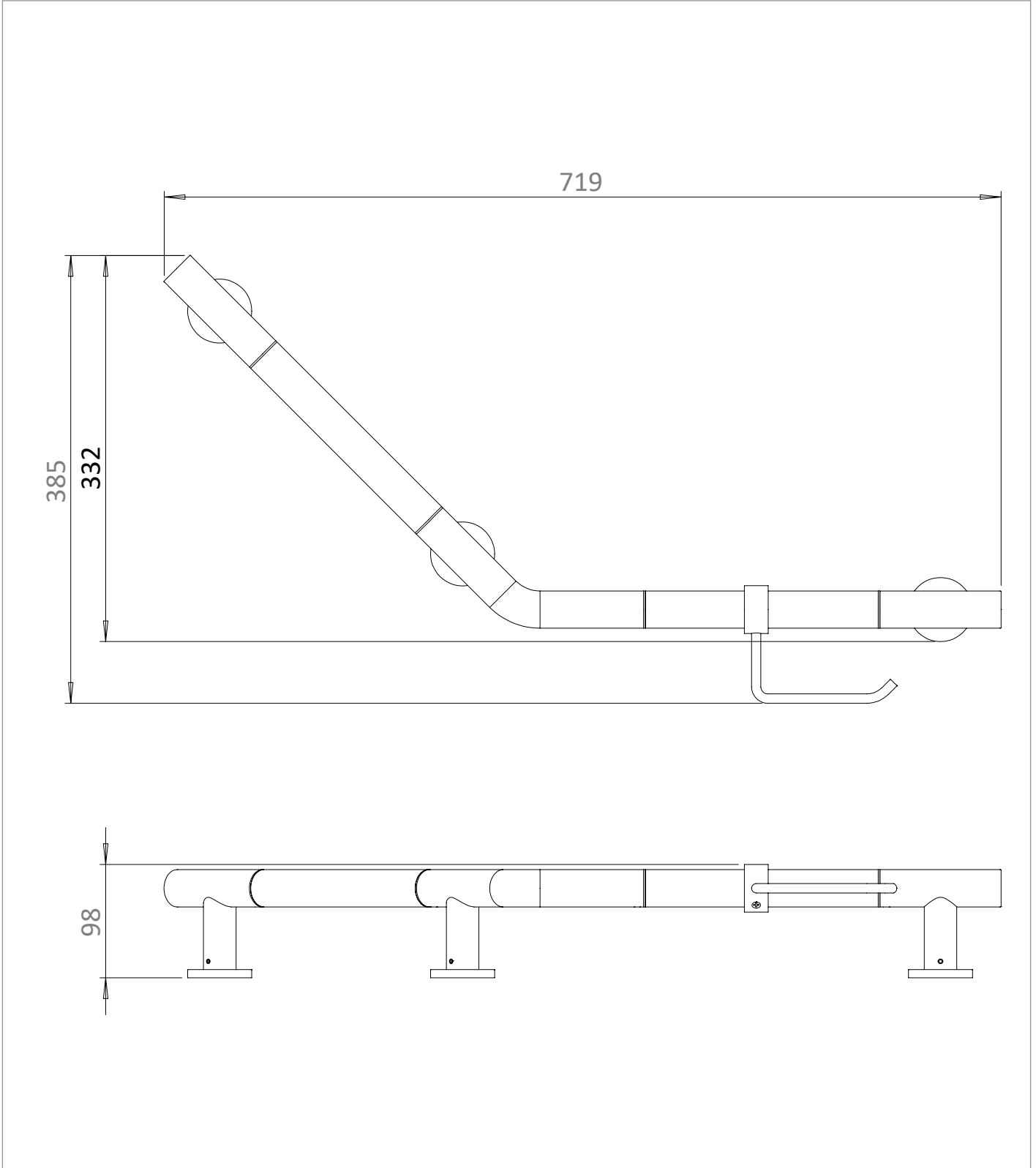
Angled Grab Bar & WC Roll Holder 719 x 332mm Chrome

CATEGORY	Accessories
WARRANTY DETAILS	15 Years
COLOUR	Chrome
FINISH APPLICATION	Electroplated
PRIMARY MATERIAL	304 Stainless Steel
SECONDARY MATERIAL	Plastic
INSTALL TYPE	Wall Mounted
PRODUCT WIDTH MM	719
PRODUCT HEIGHT MM	332
PRODUCT DEPTH MM	98
PRODUCT NET WEIGHT KG	2.3

## TECHNICAL DIMENSIONS

Dimensions in mm unless otherwise specified.

Tolerances (per material type) apply.



## SPARES LIST

Only the parts labelled are available as spares.

SPARES AVAILABLE UPON REQUEST