

# PRODUCT DATA SHEET



**PRODUCT CODE**

SE0611SICE

**RANGE**

SVELTE

**DESCRIPTION**

Basin Glass 600mm Ice White 1TH

**COLOUR** Ice White

**MATERIAL** Glass

**STANDARDS** EN 31  
EN 14688 - CLO

**INSTALLATION TYPE** Furniture Mounted

**CAPACITY OF WATER AT OVERFLOW LEVEL** 15 L

**BASIN WASTE SIZE** 45mm

**TAP HOLES** 1TH

**OVERFLOW** Yes

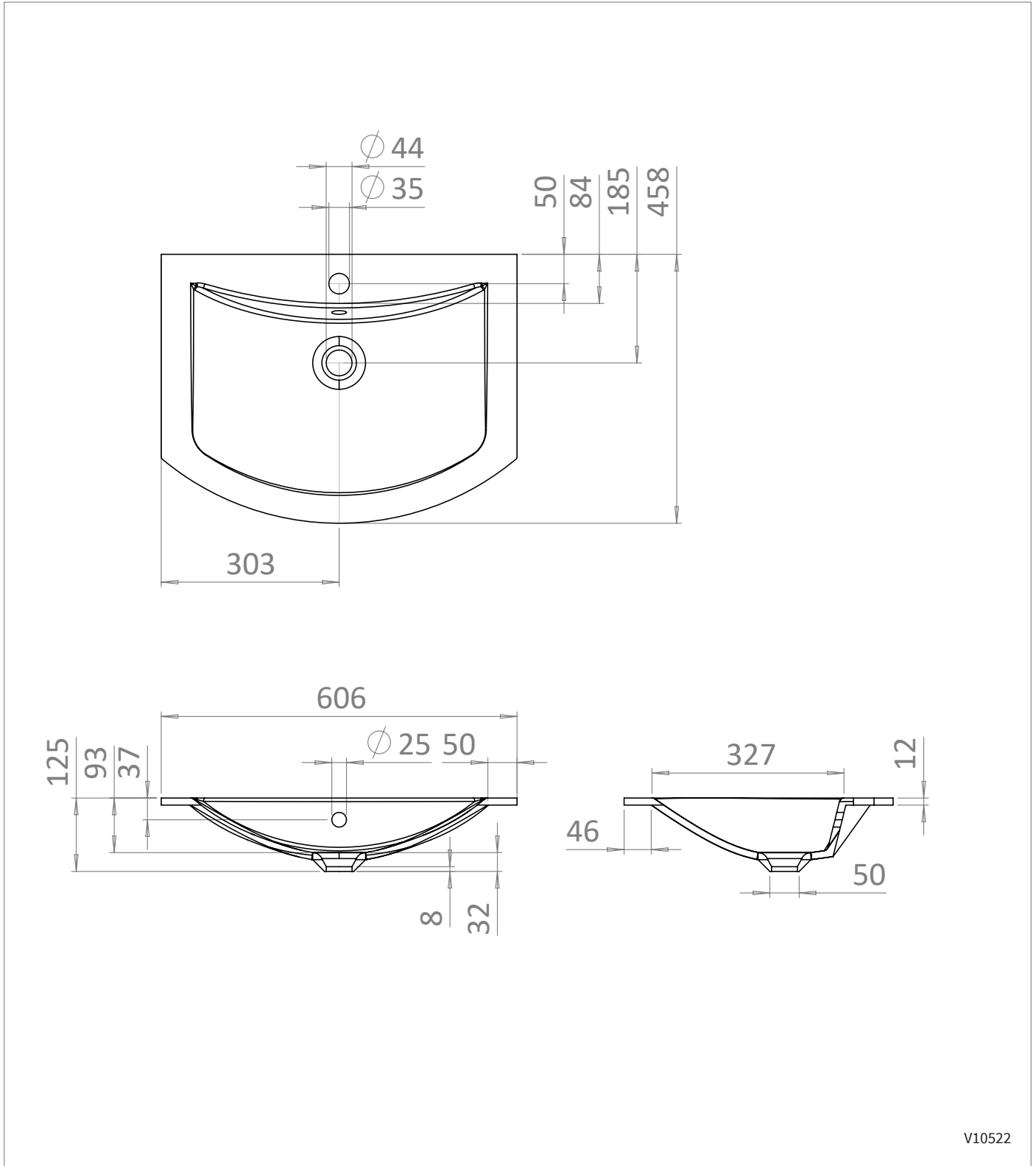
**WEIGHT** 8.5kg

**WARRANTY** 10 Years

## TECHNICAL DIMENSIONS

Dimensions in mm unless otherwise specified.

Tolerances (per material type) apply.



V10522