

INSTALLATION INSTRUCTIONS

crosswater^x

INTRODUCTION

Please read these instructions carefully and keep in a safe place for future reference.

General Installation Requirements.

The installation must comply with regulations of the Local Water Authority as contained in their bylaws. All of the taps in this range are single flow (the hot and cold water mix in the body) and should therefore be supplied with hot and cold water at balanced pressures, both from the tank or both from the mains (via a combination boiler for example). If the taps are not supplied at balanced pressures then the mixer will not function correctly. It will also be necessary to fit non-return valves on both hot and cold feeds. It is very important that all pipework is flushed thoroughly after installation to avoid damaging the ceramic discs.

Minimum/Maximum working pressure

These taps are suitable for installations with a minimum operating pressure of 1 bar. They are fitted with a quarter turn ceramic disc cartridge which provides a good flow rate with very smooth movement. The maximum water pressure is 5 bar (note: mains cold water is normally supplied at between 2 and 3bar). For installations where the mains pressure exceeds 5 bar a pressure reducing valve should be fitted.

Approvals

All products are manufactured using materials tested and approved under the Water Bylaws Scheme and comply with requirements of British Standard 5412:1996 where applicable.

Preparation and byelaw requirements

These taps are single flow so the hot and cold water mix in the body. Water byelaws require that where the hot water is supplied from a tank and cold from the mains, non return valves are fitted on both hot and cold pipes as close as possible to the tap. These are not supplied. Where combination boilers are fitted it is only necessary to shut off the incoming mains and turn the boiler off and non return valves are not required.

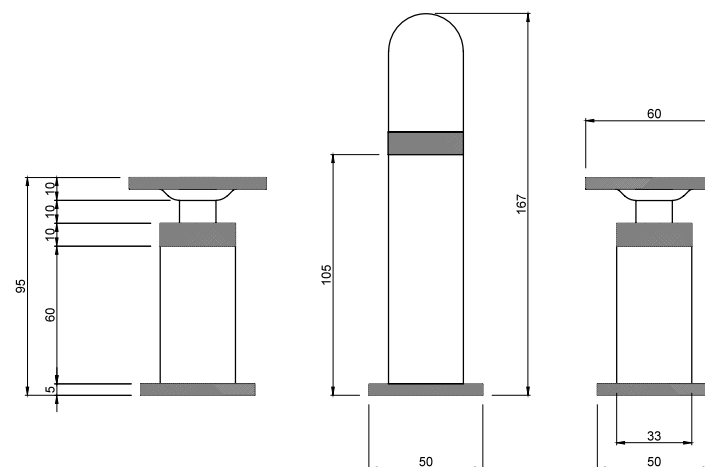
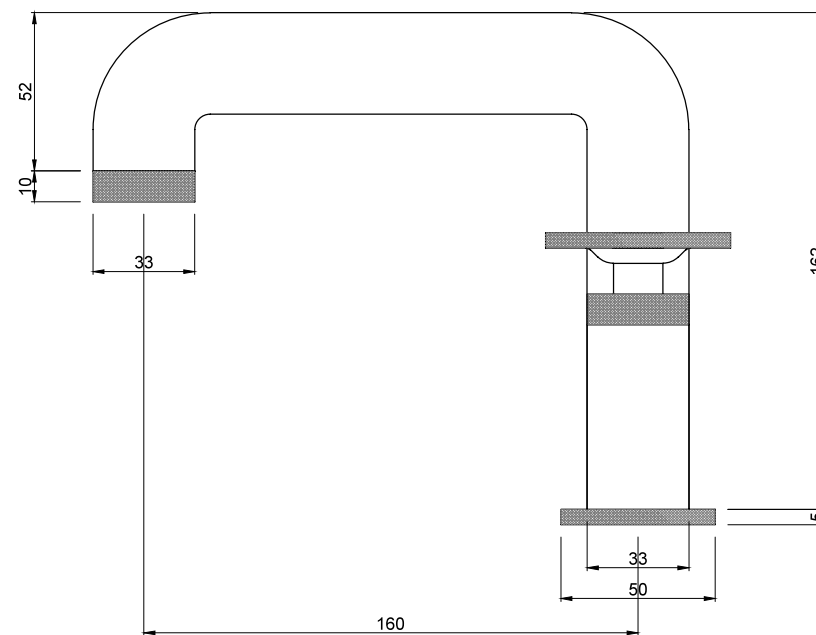
WARNING

Before installing the new mixer it is essential that you thoroughly flush through the supply pipes in order to remove any remaining swarf, solder or other impurities.

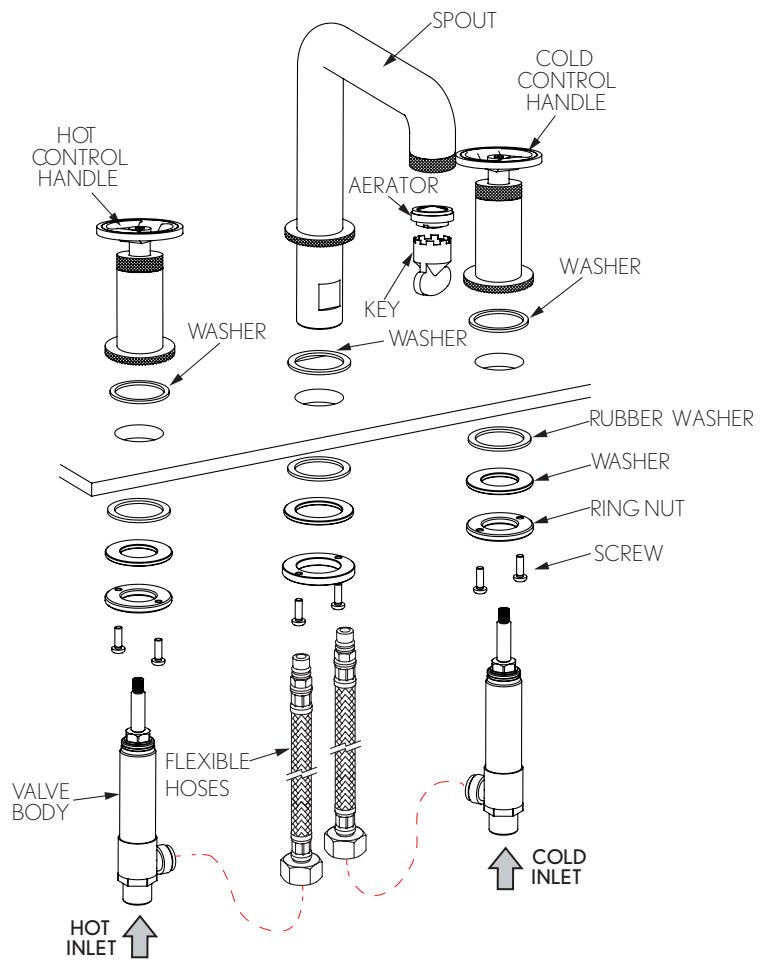
Failure to carry out this simple procedure could cause problems or damage to the working of the mixer.

These hints have been prepared for your guidance, you must exercise due care at all times. We do not accept responsibility for any problems that may occur through incorrect installation.

DIMENSIONS



INSTALLATION



ATTENTION



Carefully clean the water pipes before installation

Having first checked all new connections, turn on the mains stop cock, close all taps except the new mixer and as the system starts to refill check for leaks.

Once you have satisfied yourself that there are no leaks, switch on the water heating.

INSTALLATION

First shut off your water heating system then, with your mains stop cock closed, open the lowest hot and cold taps in the house and allow to run until the cold storage tank and pipes are empty (the hot water storage cylinder always remains full).

Where combination boilers are fitted it is only necessary to turn off the boiler and shut off the incoming mains.

Fitting isolating valves to the inlet feeds is recommended for ease of maintenance.

INSTALLATION

Warning! Remember to turn off the mains water supply before connecting to any existing pipe work.

Warning! Please check for any hidden pipes and cables before drilling holes in the wall.

Spout

Screw the flexible hoses into the spout and fully hand tighten. Bring careful not to over tighten! The hot water should be connected to the left inlet when the tap is viewed from the front.

Pass the flexible hoses and threaded stud through the centre hole in the sink or worktop and place the spout into position.

Slide the black washer and then the retaining plate up the flexible hoses and secure with the screws, finger tight only.

Check that the spout is positioned correctly and tighten the screws. The spout needs to be fixed firmly but **do not** over tighten as damage may be caused to the basin or worktop.

Valve bodies

Both valve bodies must be fitted from the underside of the sink or worktop, without the flanges fitted, making sure that the black nuts and washers are already screwed onto the valve body threads.

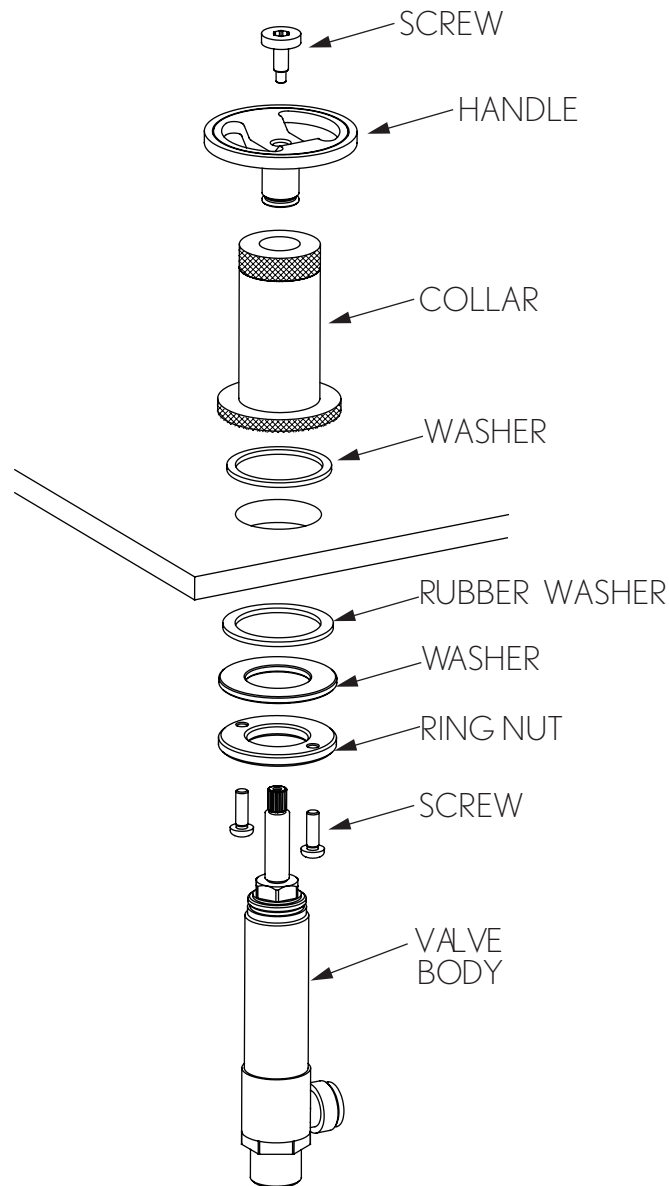
The outlets of both valve bodies must be aligned so that the flexible pipes can supply water to the spout.

Once this alignment is correct the black nuts can be tightened to allow the collars to be fitted from above to secure the valve body.

Connect the valve bodies to the spout using the flexible hoses.

Place the handle onto the cartridge spline and secure using a hexagonal key.

The hot (to the left) and cold (to the right) water supplies can now be connected to the fittings at the bottom of each valve body using compression fittings and washers supplied.



PRODUCT COMPATIBILITY

Whilst the majority of Crosswater products are compatible, care should be taken on product selection prior to ordering to avoid installation issues. Technical drawings are available on our website or on request.

ERRORS & OMISSIONS

In the interest of continuing design and development and product improvement, Crosswater reserve the right to change colour, designs and product specifications without prior notice.

PRODUCT GUARANTEE

For full details of our guarantee please refer to our website. This guarantee does not cover damage during fitting, misuse or inappropriate cleaning or consumable goods. Care should be taken in hard-water areas to ensure the cartridge is regularly cleaned.

CLEANING THE CARTRIDGE

The concealed cartridge should give trouble free service, but in the event of any problems, servicing is straight forward.

To remove cartridge:

NB First shut off the water supply to the tap.

With your water supply, carefully remove the cover cap and using a hexagonal key loosen the screw but do not remove. Using a correct size spanner unscrew the retaining nut and remove the cartridge taking note of it's orientation.

Wash the cartridge with clean running water, making sure any trapped debris have been removed.

Dry and lightly grease the seal, (only use silicone grease).

Replace the cartridge followed by the nut, cover and handle.

CLEANING

The chrome plate we use on our taps is very durable, nevertheless care should be taken when cleaning them. They should be cleaned only with warm soapy water followed by rinsing with clean water and drying with a soft microfibre cloth. Uncoated polished brass and all other living finishes are intended to change over time and are excluded from the finish warranty. All finishes are vulnerable to acid attack and some strong substances such as household cleaners, disinfectants, denture cleaners, hair dyes, wine making and photographic chemicals can cause the surface to go black or peel.

This product should only be fitted by a qualified plumber to NVQ (National Vocational Qualification) or SNVQ (Scottish National Vocational Qualification) Level 3. Should the installation be completed by a non-qualified person then the guarantee may be considered invalid.

For a claim made under our warranty written certification of your installers credentials can be required. For further information or to find a qualified installer in your area please visit the Institute of Plumbers website - www.iphe.org.uk

QUALIFICATIONS

At present, to be a plumber you need to follow the National Vocational Qualification (NVQ) route (Scottish National Vocational Qualification - SNVQ - in Scotland). These qualifications are made up of theory and practical work in the classroom/purpose built training facility and work based experience with a working plumber. Colleges should help students find a work placement, although many students organise it themselves.

The S/NVQ qualification works in levels. All recently qualified plumbers should hold S/NVQ Level 2 as basic with Level 3 as the preferred level. Level 2 will give you the foundation you need for a career in plumbing and teach you domestic plumbing to a satisfactory level. Level 3 is more comprehensive and deals with domestic, commercial and industrial plumbing along with aspects such as gas - if you want to one day set up your own business, this is the level to reach. The Institute of Plumbing and Heating Engineering, and the industry as a whole recommends that all plumbers reach a minimum of Level 3.

Reaching Level 3 has other advantages. The Institute runs a Master Plumber Certificate, which only those attaining Level 3 or equivalent can reach as long as they have the relevant experience as well. Those with S/NVQ Level 3 can (once in membership with the Institute for five years as a Member MIPHE) gain Engineering Technician EngTech status with the Engineering Council (UK).

For any further information please contact
Crosswater on: **0845 873 8840**

Or visit our website at www.crosswater.co.uk

The manufacturer reserves the right to make
technical modifications without prior notice.