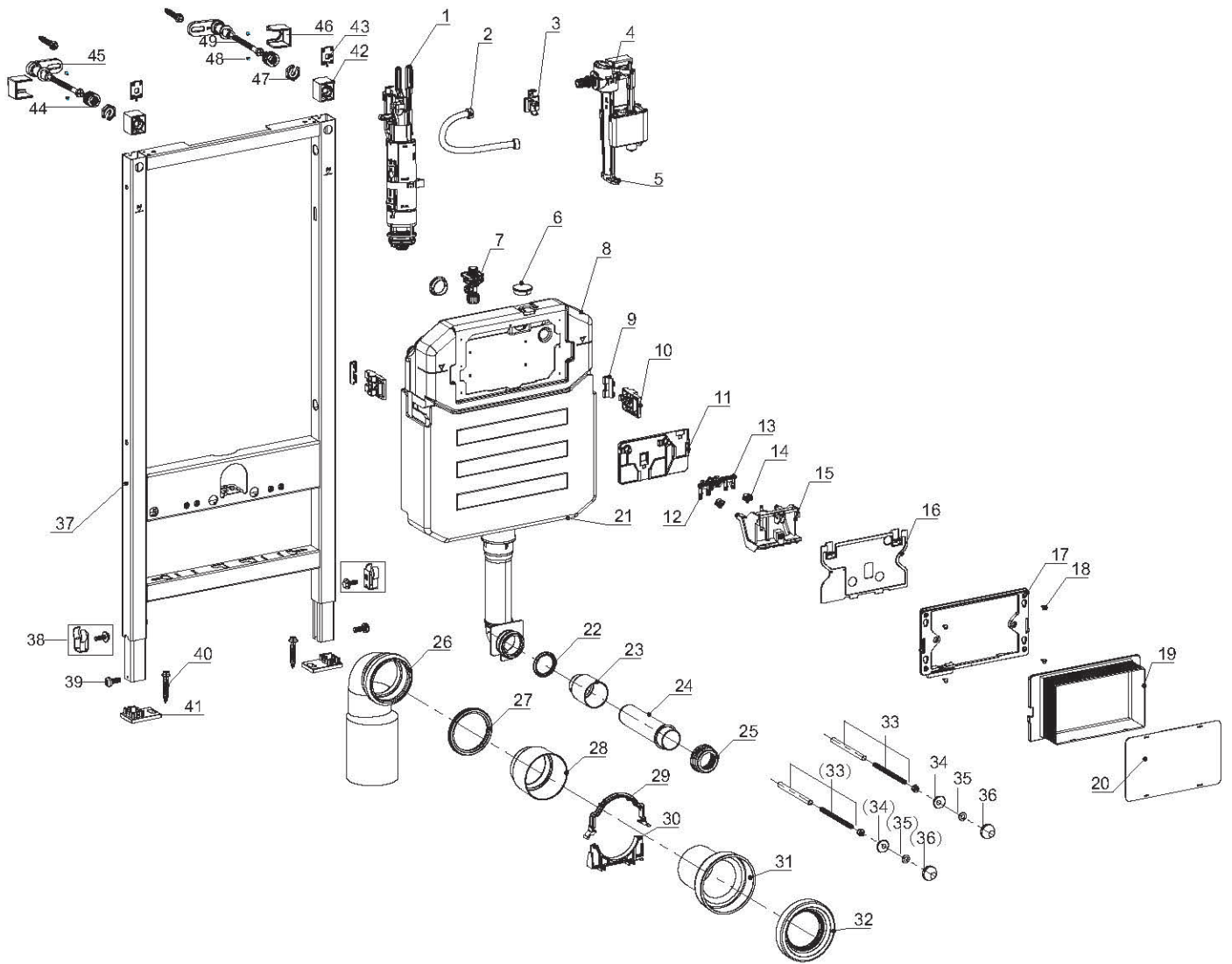


installation instructions

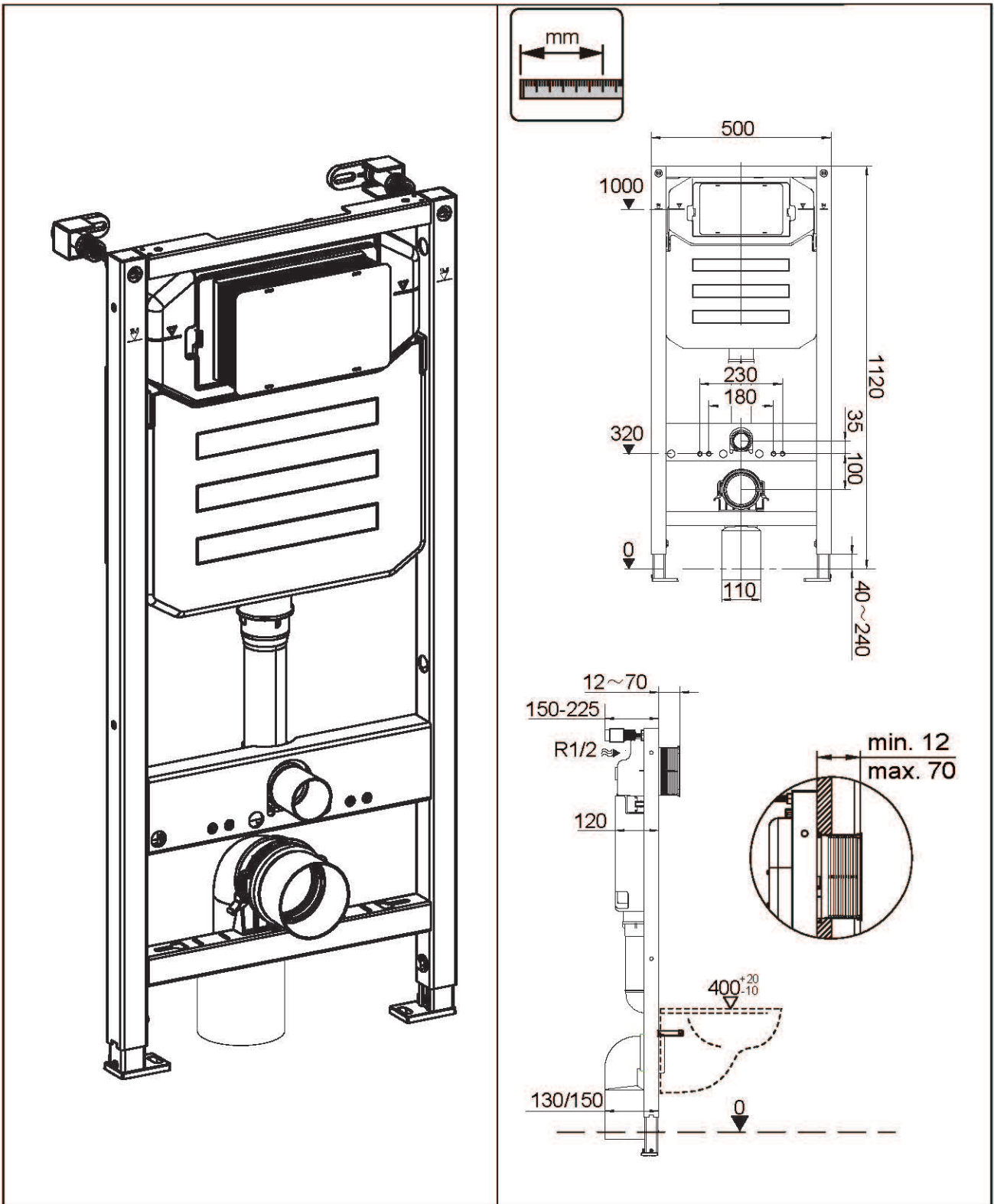
WCF118X50+2

BBCCF05

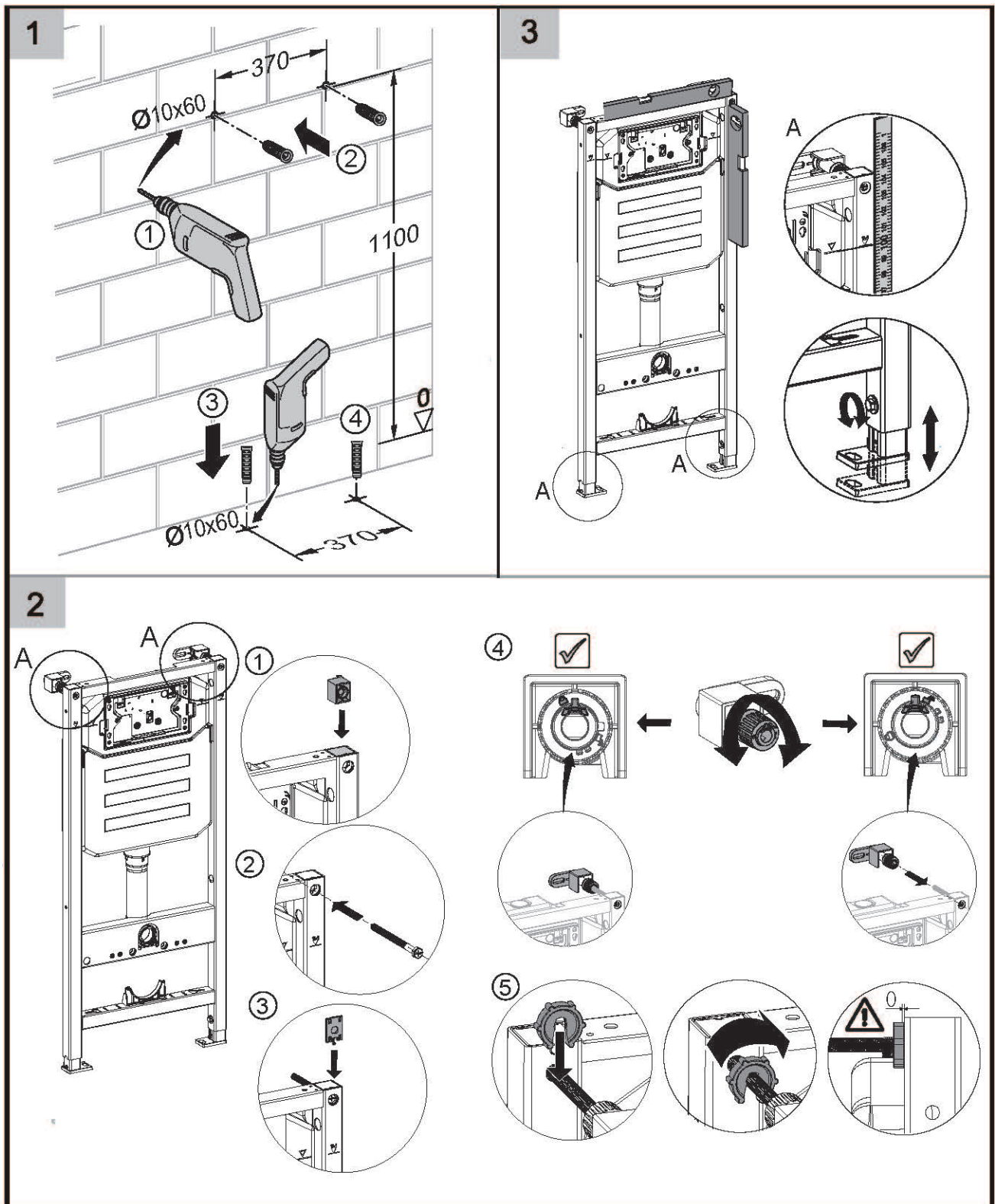


No.	Description	Quantity
1	Dual Flush	1
2	Soft Pipe	1
3	Fill Clip	1
4	Fill Vavle	1
5	Fill Sleeve	1
6	Cover	2
7	Angle Valve	1
8	Tank Component	1
9	Clip	2
10	Tank Hook	2
11	Fixing Plate	1
12	Full Swing Arm	1
13	Half Swing Arm	1
14	Adjust nut	2
15	Gearing bracket	1
16	Baffle	1
17	Fixing Plate	1
18	Screw	4
19	Protection Cover	1
20	Protection bracket	1
21	Foam	1
22	Seal Ring	1
23	Embedded Part	1
24	Flush pipe	1
25	Seal Sleeve	1
26	Waste Elbow	1
27	Seal Ring	1
28	Embedded Part	1
29	Top Pipe Clip	1
30	Down Pipe Clip	1
31	Straight Pipe	1
32	Seal Sleeve	1
33	Bolt Component	2
34	Gasket	2
35	Washer	2
36	Nut Cap	2
37	Metal Frame	1
38	Damping component	2
39	Screw	2
40	Expansion bolt	4
41	Base Anchor	2
42	Front plate	2
43	Fixed block	2
44	Elastic ring	2
45	Zinc alloy base	2
46	Fixed block	2
47	Nuts	2
48	Rack	2
49	Rod	2

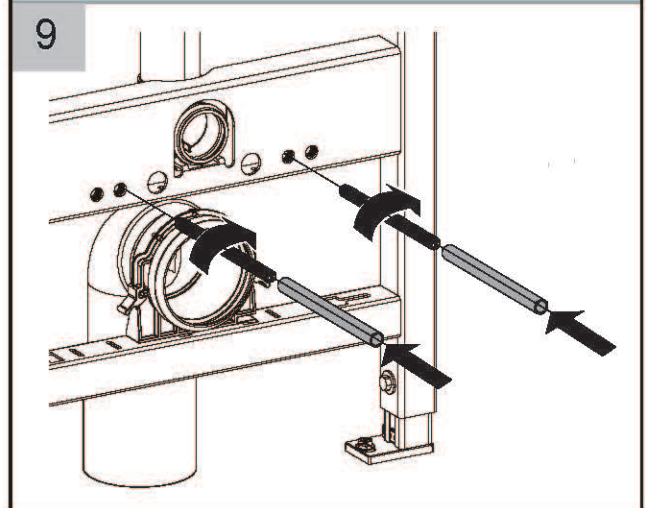
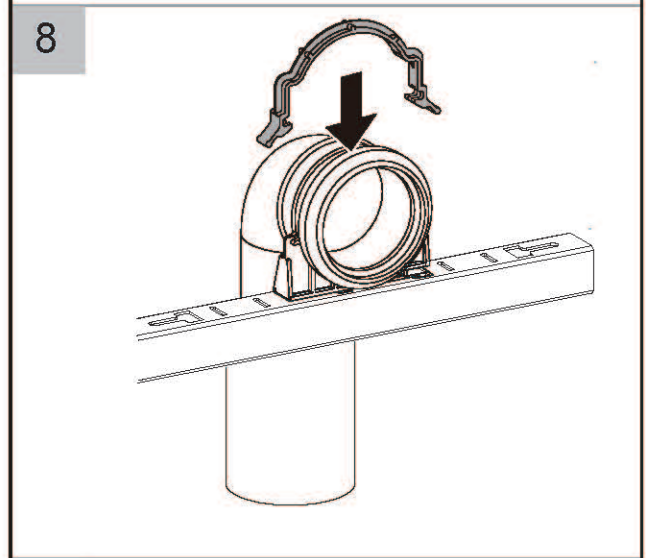
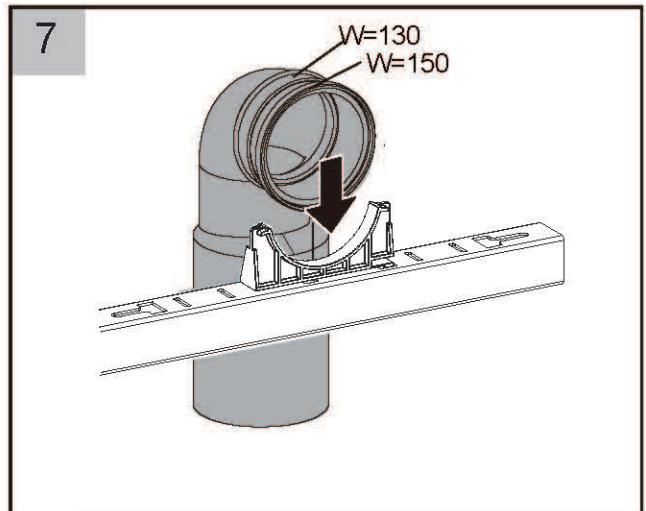
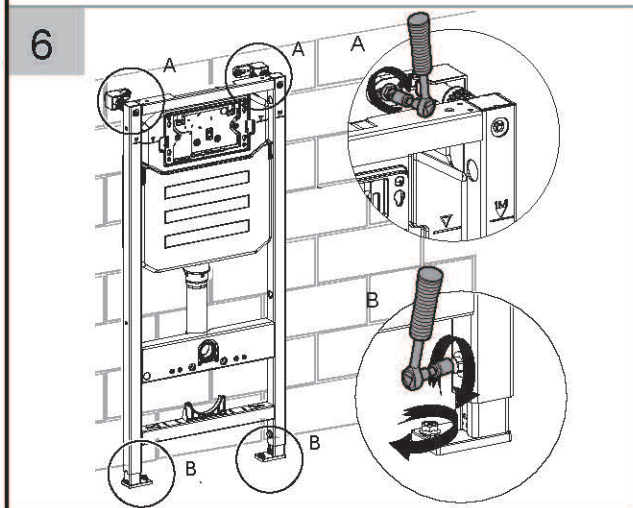
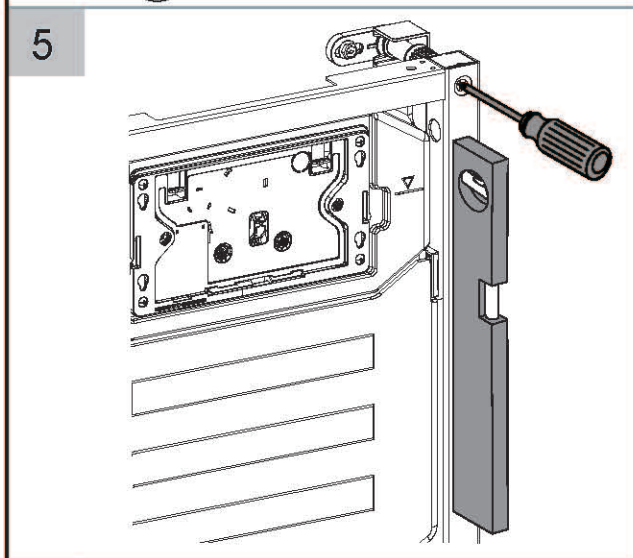
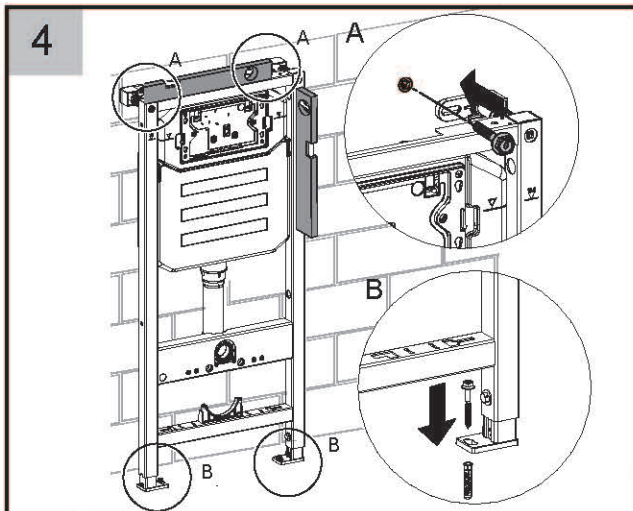
Installation



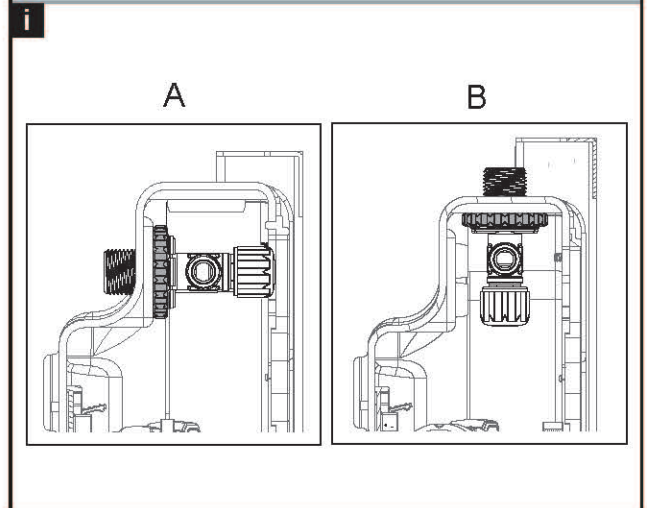
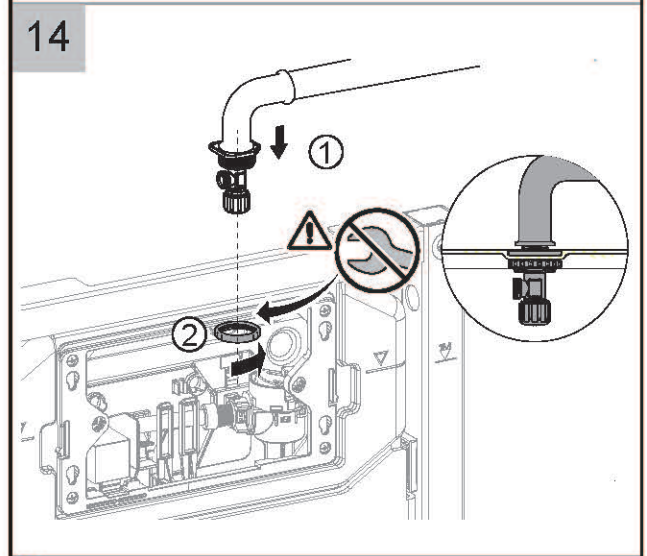
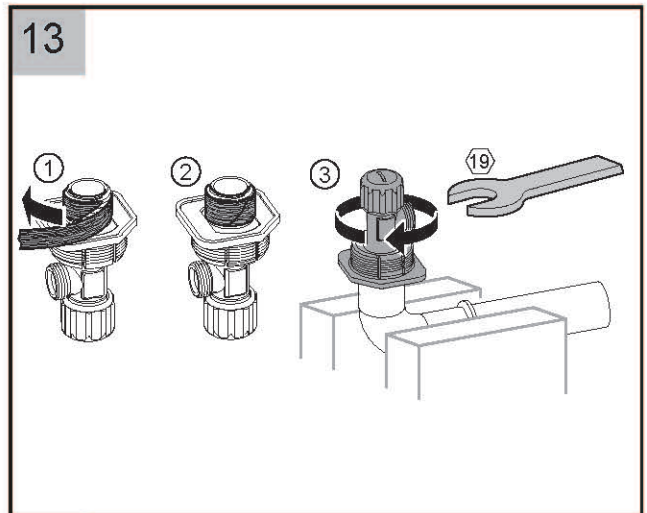
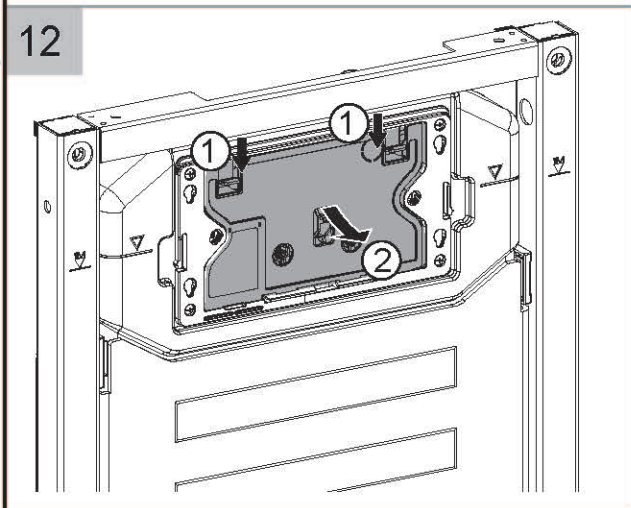
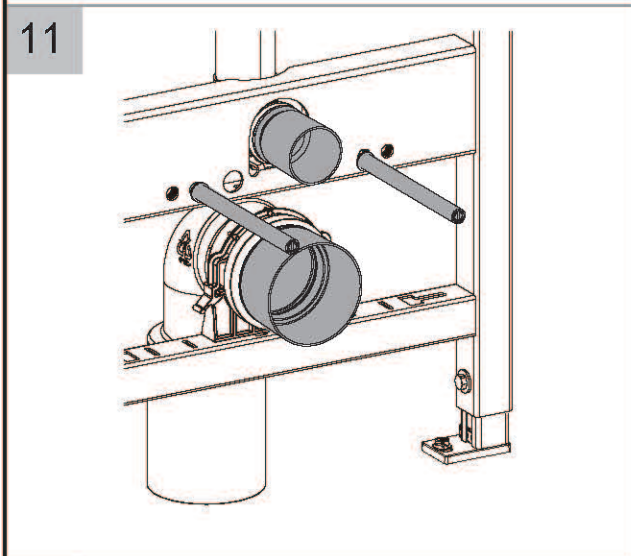
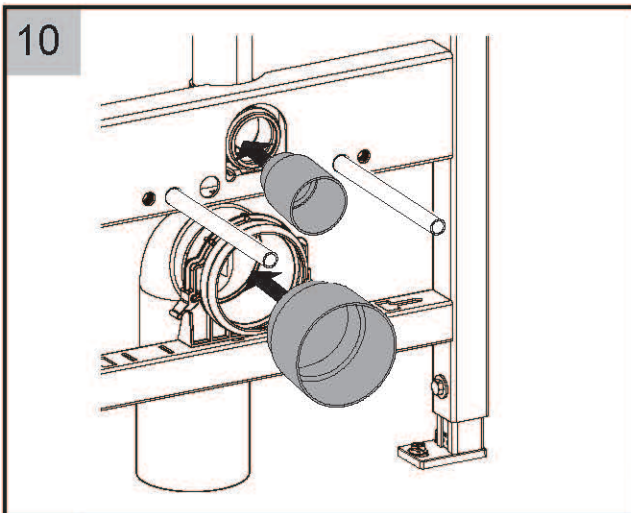
Installation



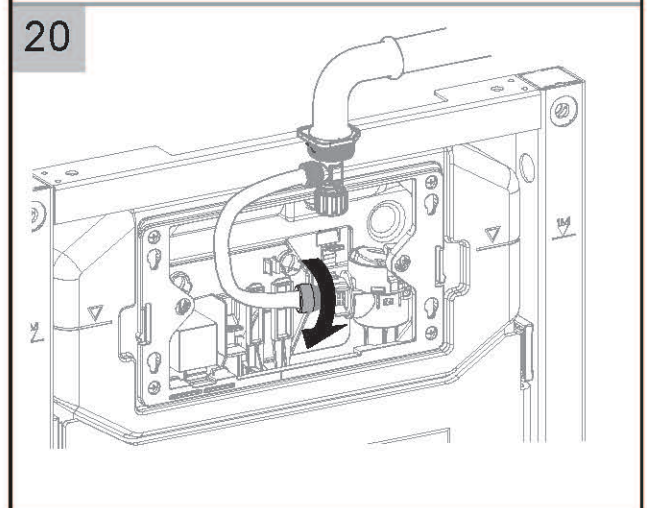
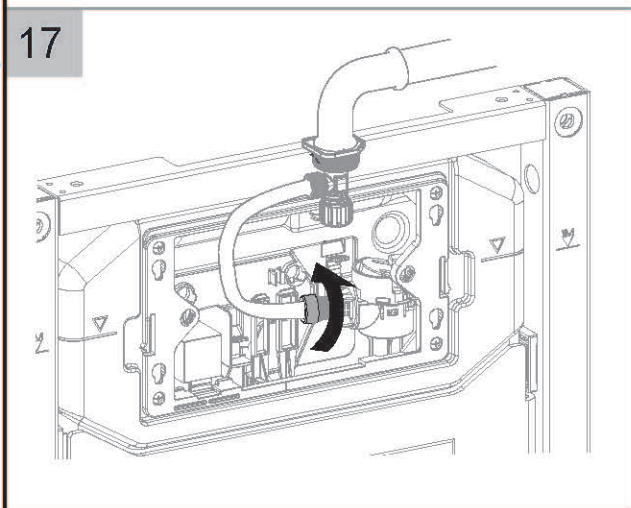
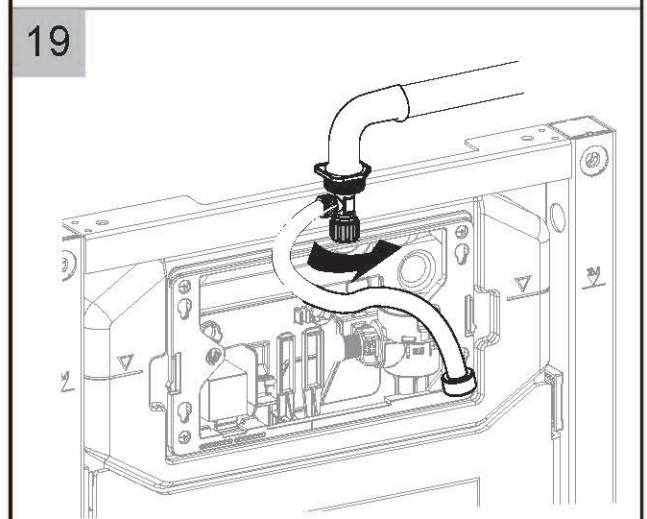
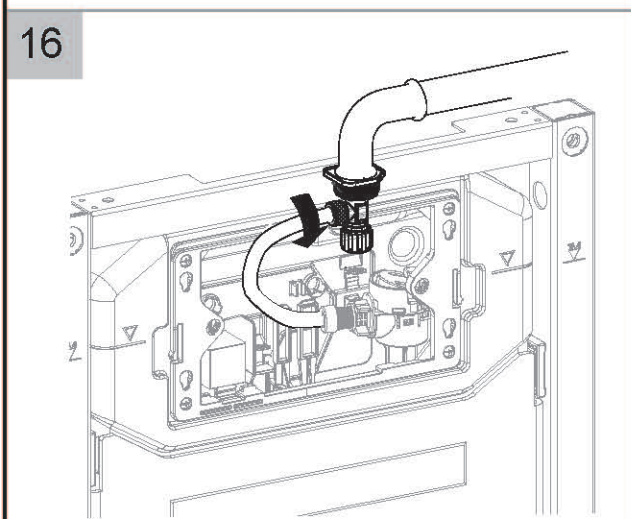
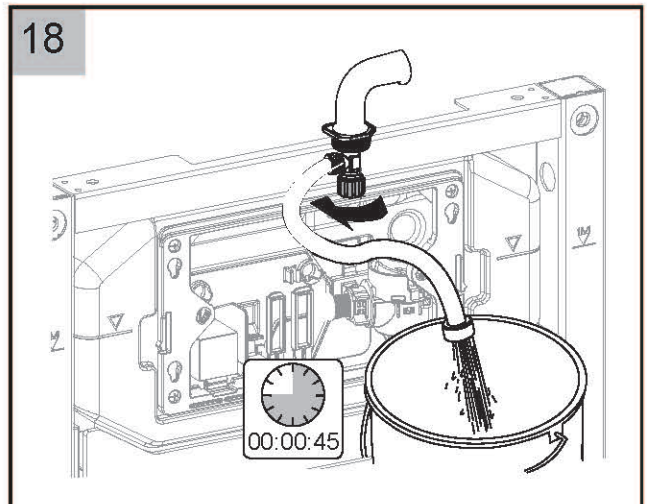
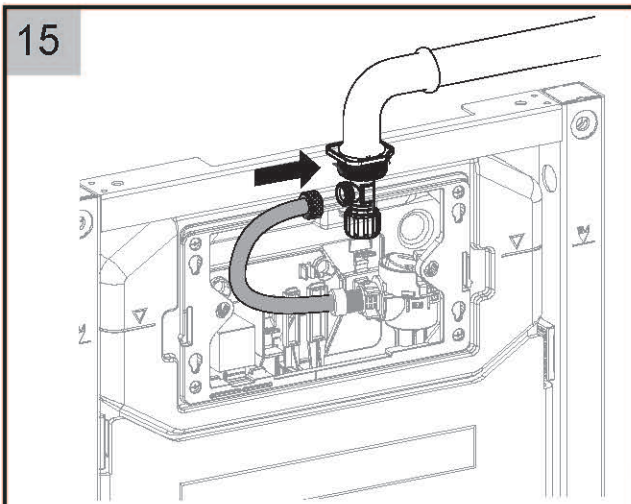
Installation



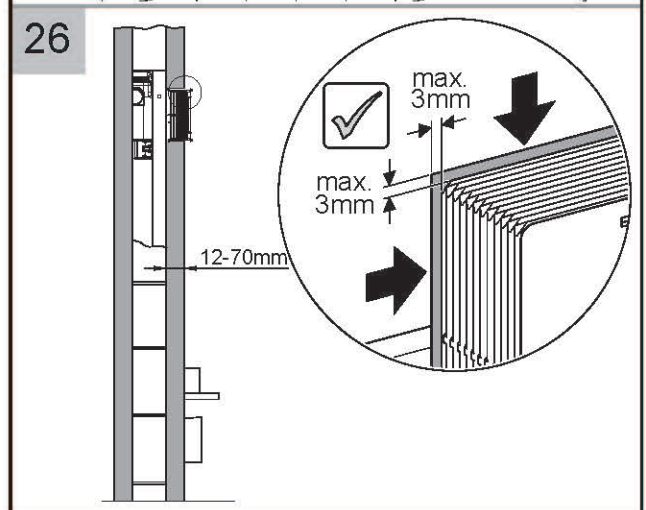
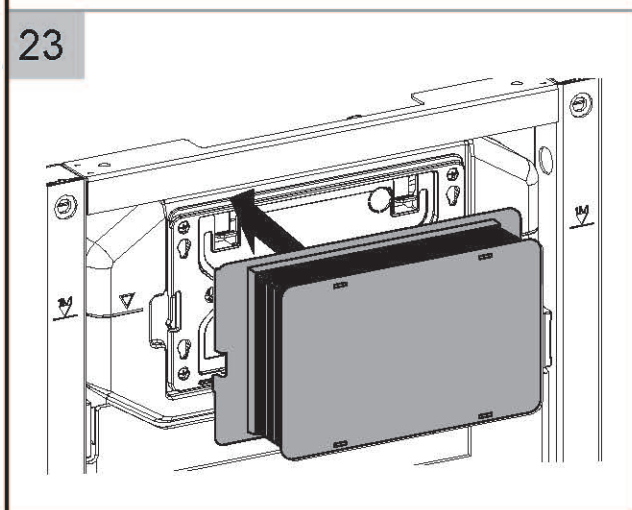
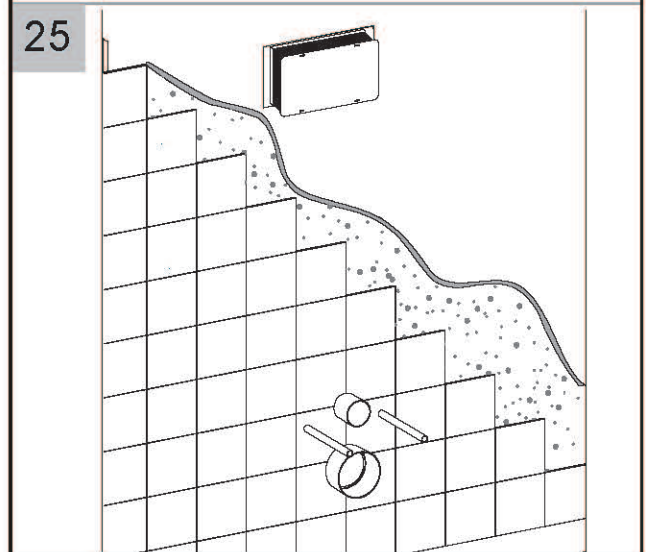
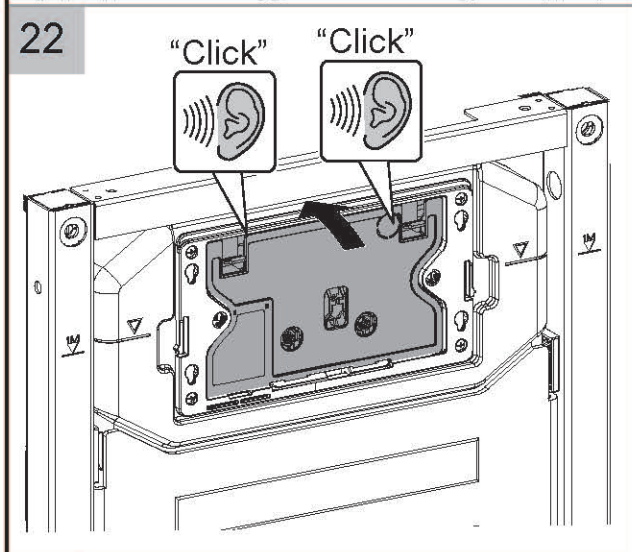
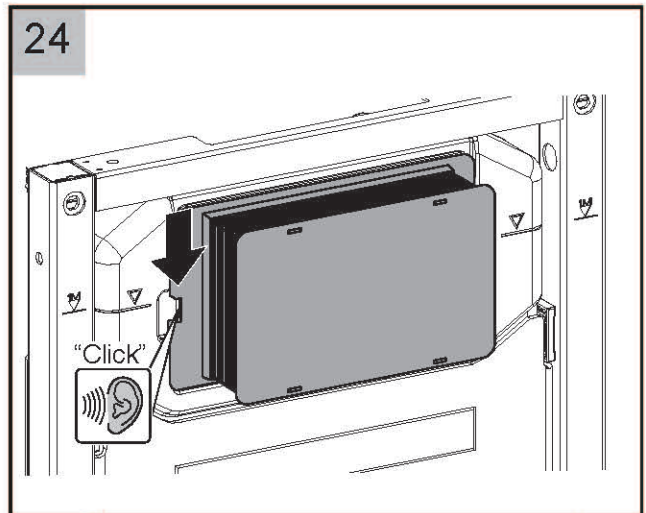
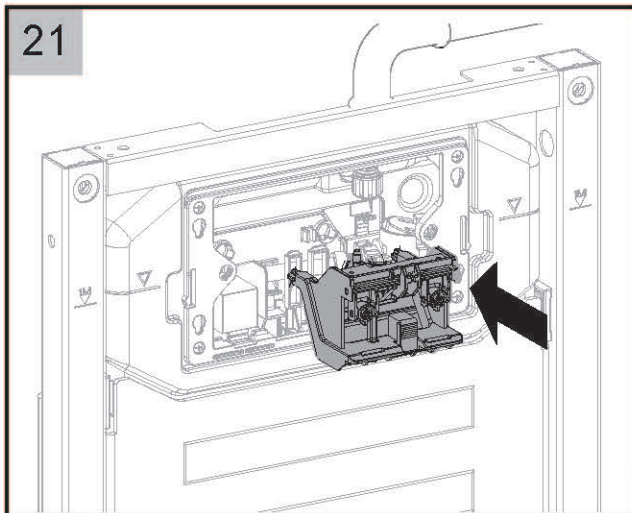
Installation



Installation

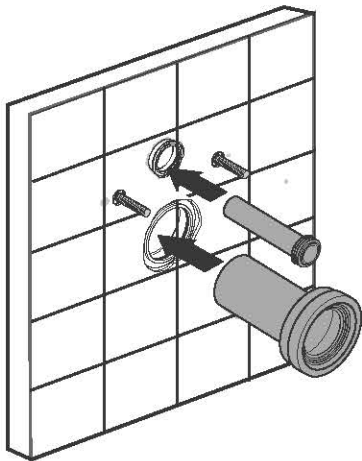


Installation

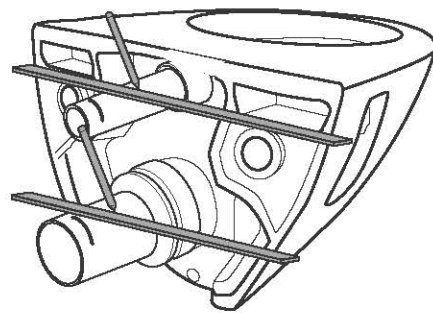


Installation

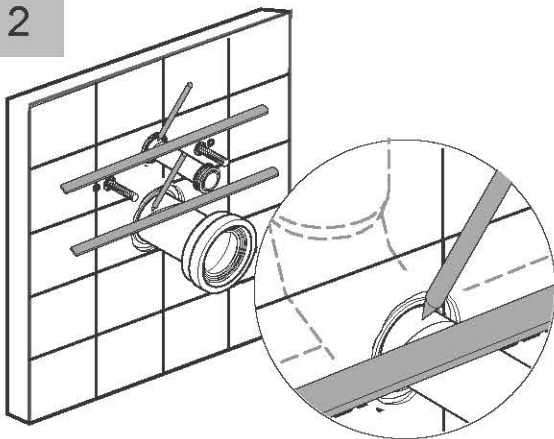
1



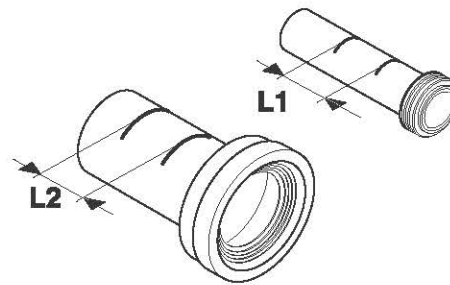
4



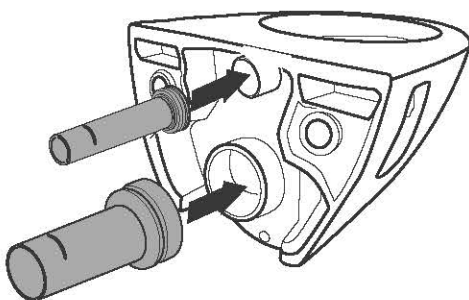
2



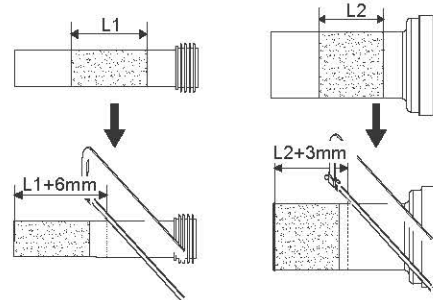
5



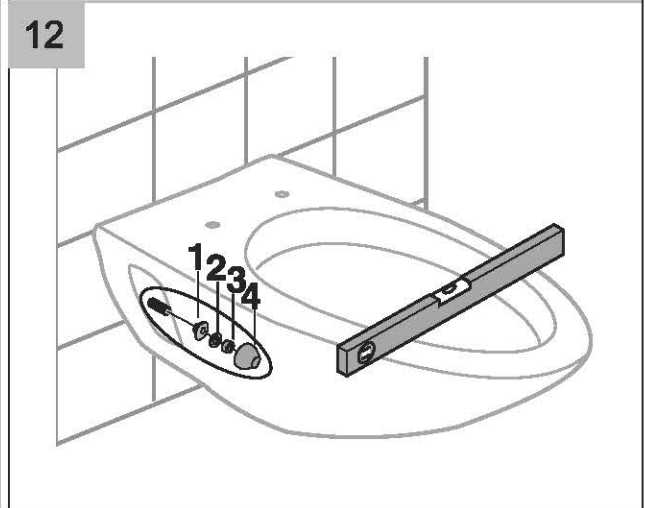
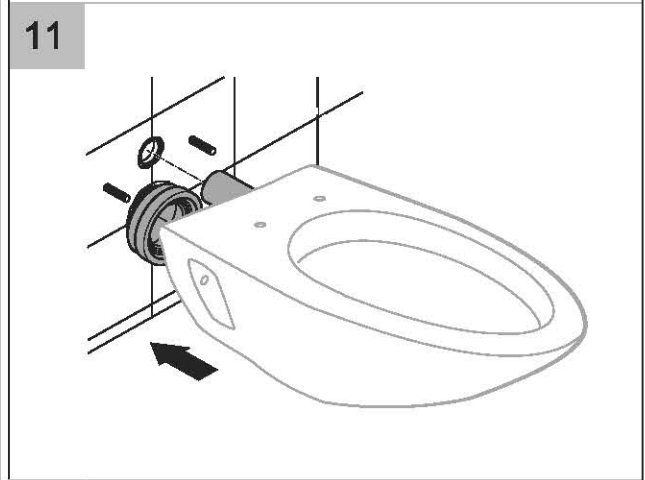
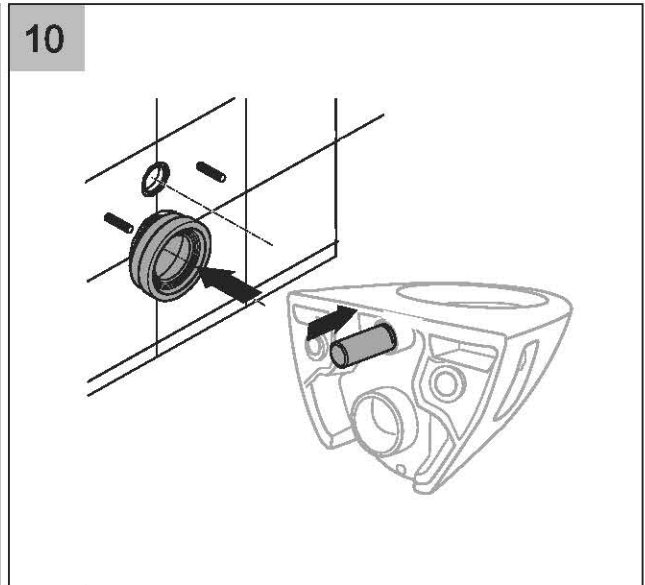
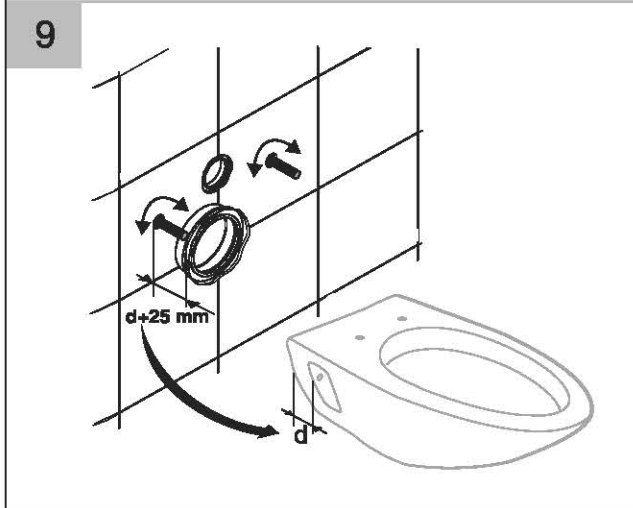
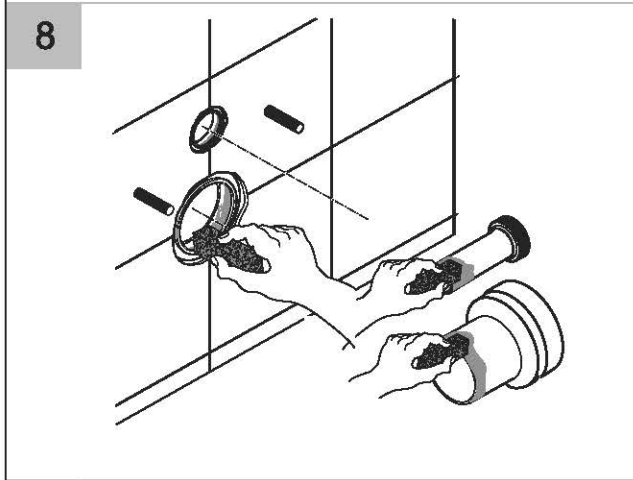
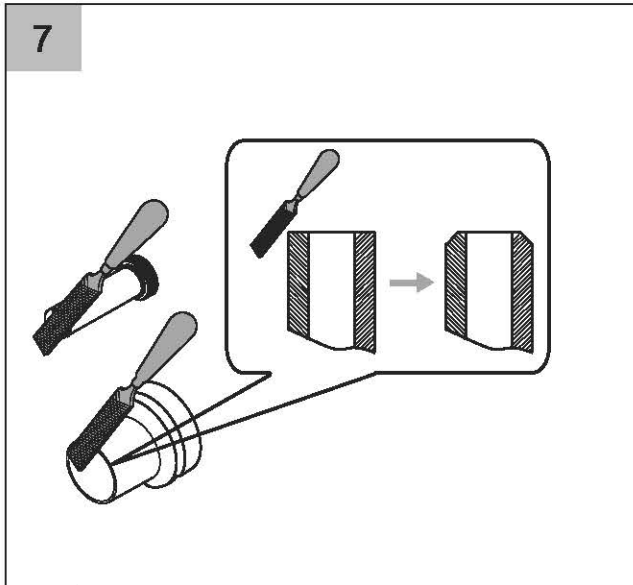
3



6



Installation



For any further information please contact

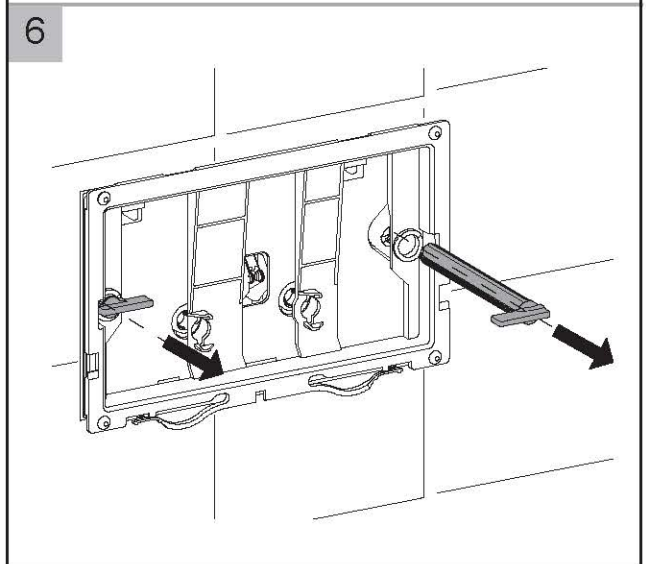
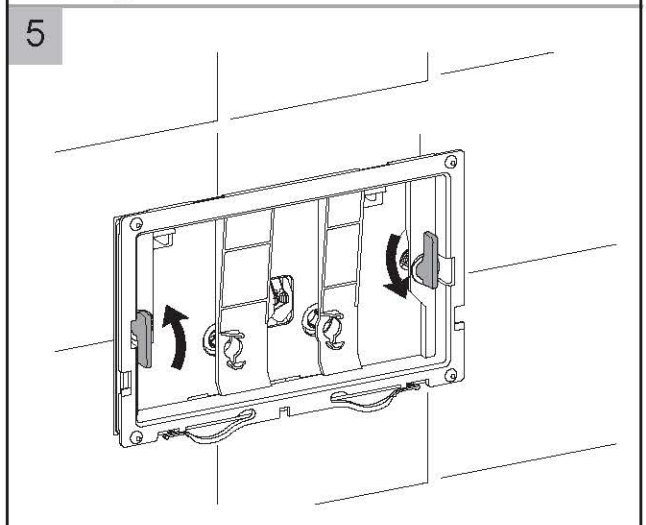
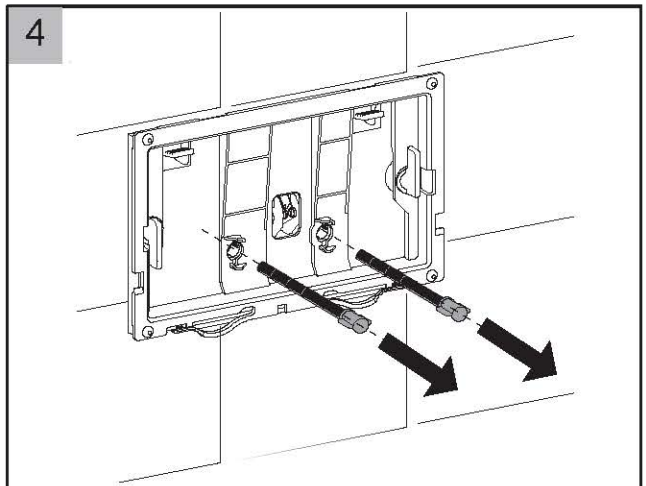
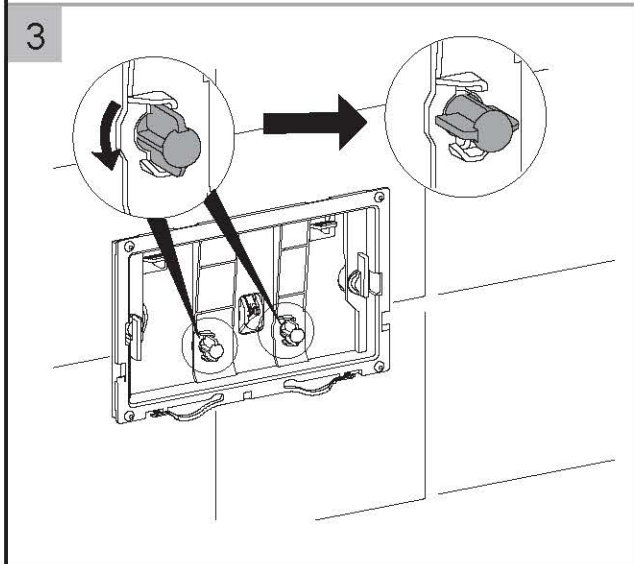
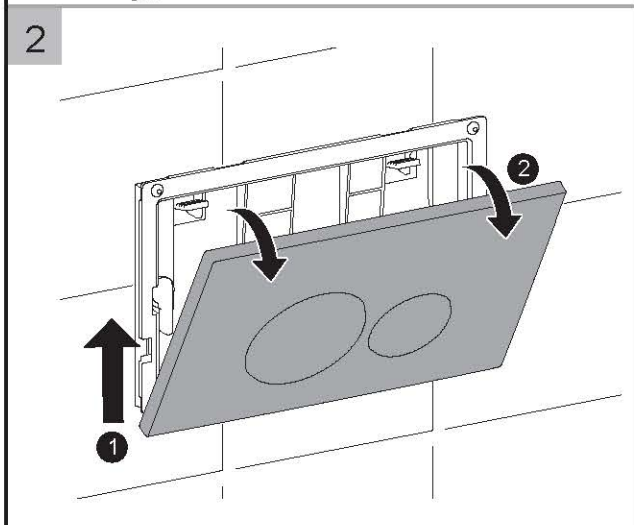
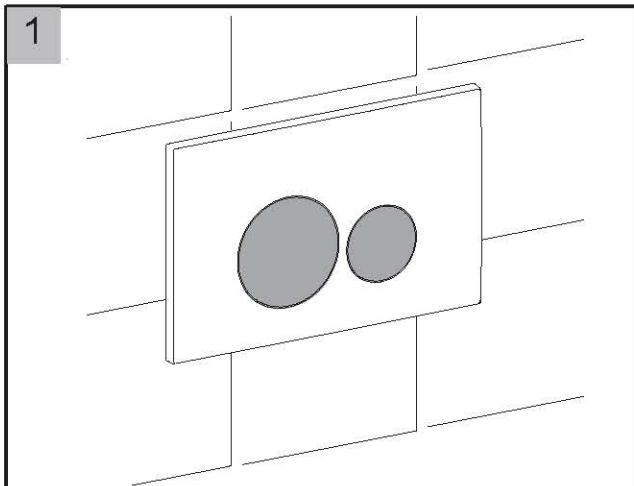
Crosswater on: **0345 873 8840**

Or visit our web-site at:

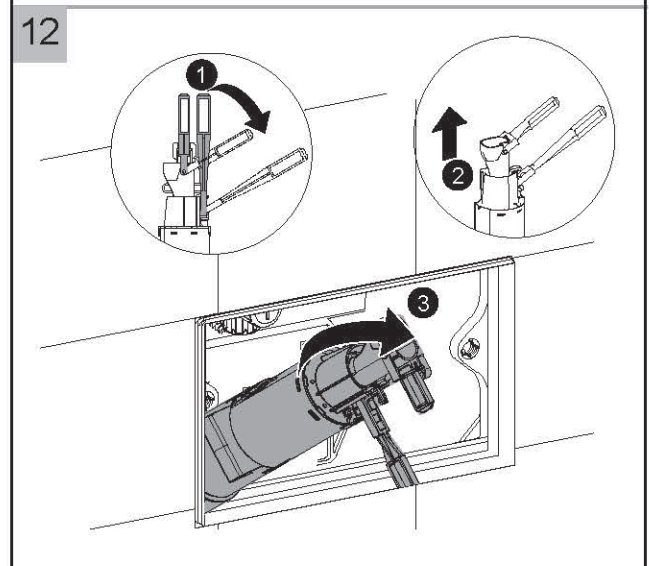
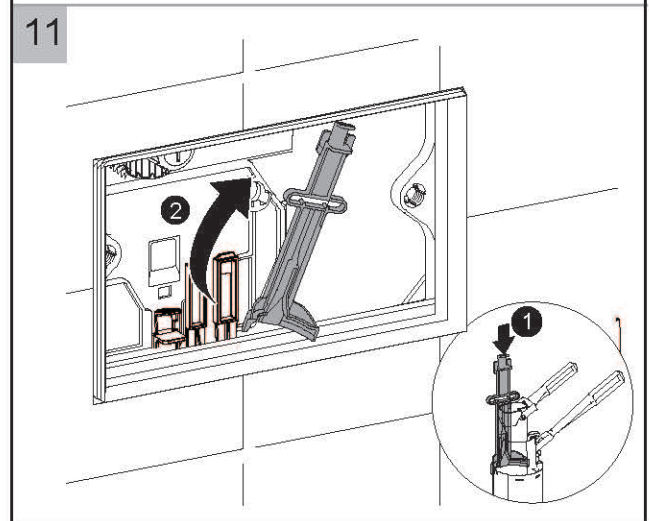
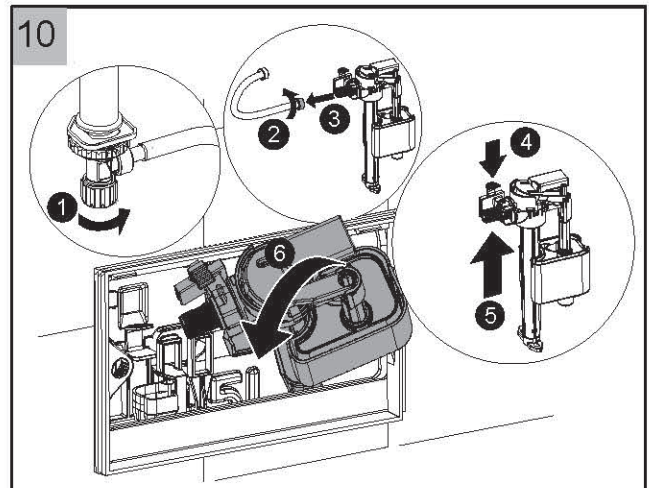
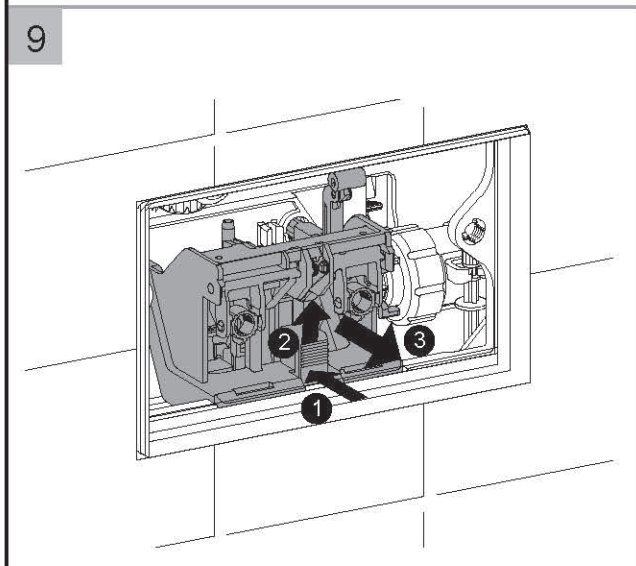
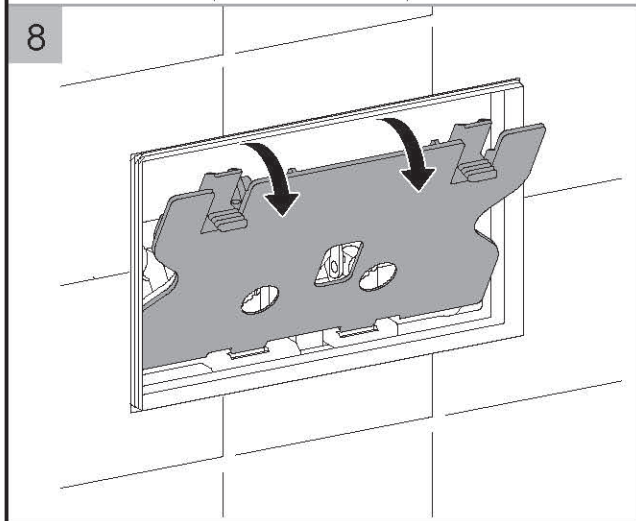
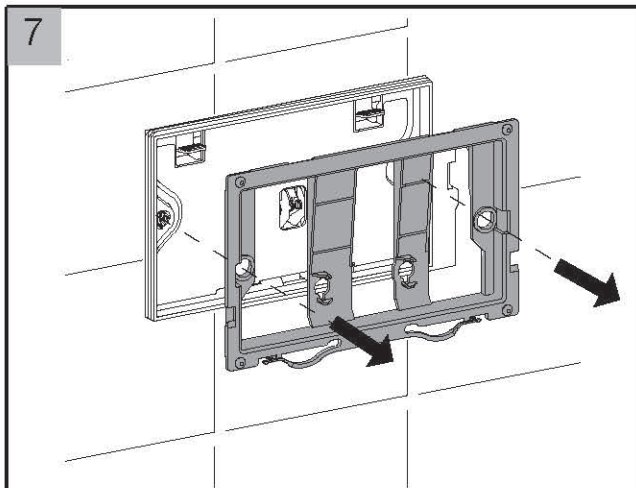
www.crosswater.co.uk

The manufacturer reserves the right to make technical modifications without prior notice.

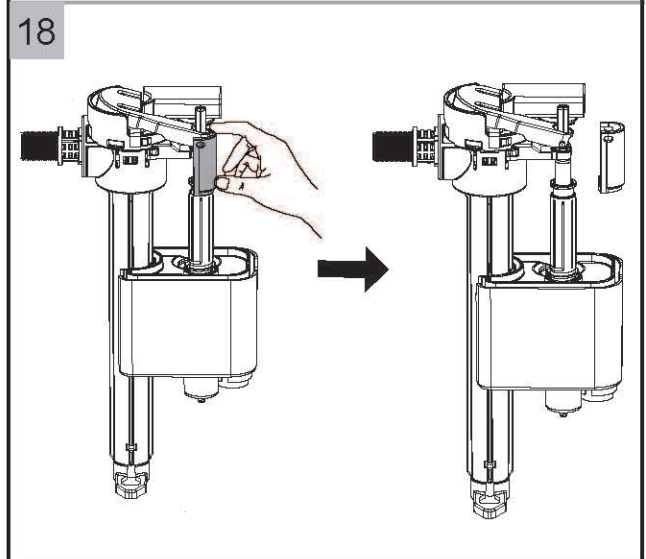
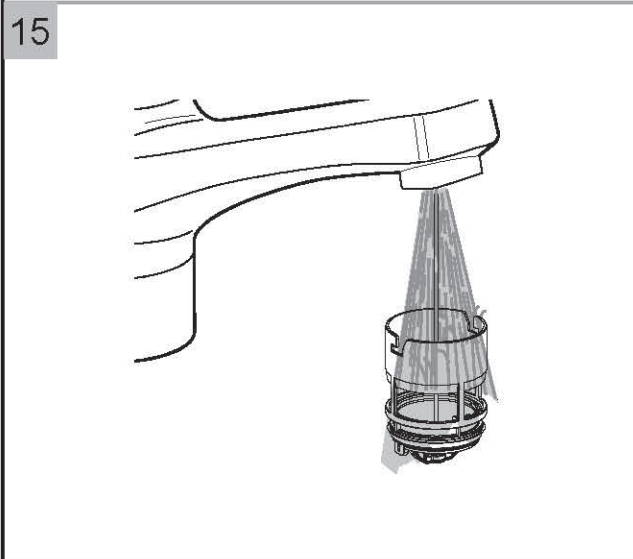
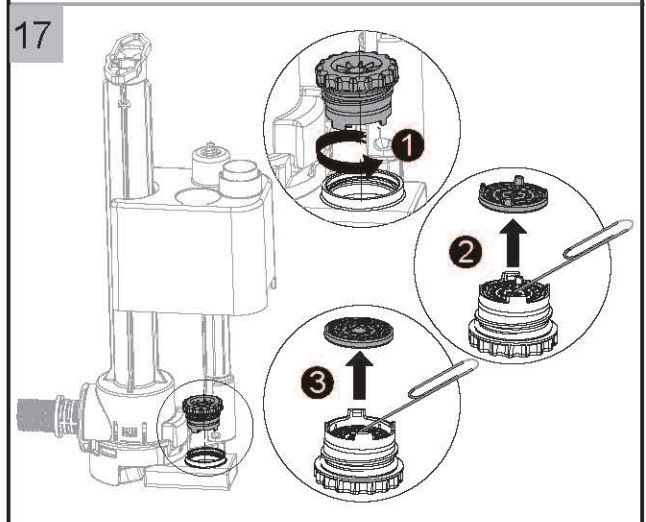
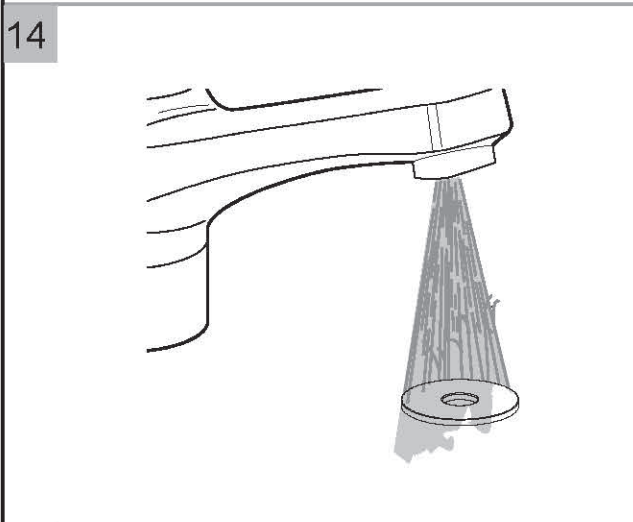
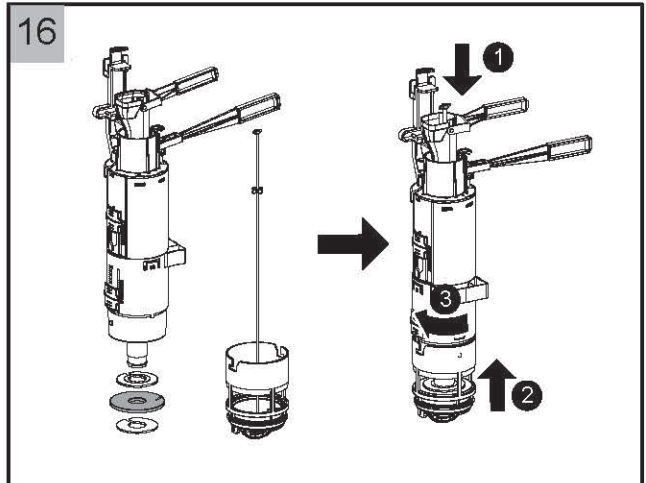
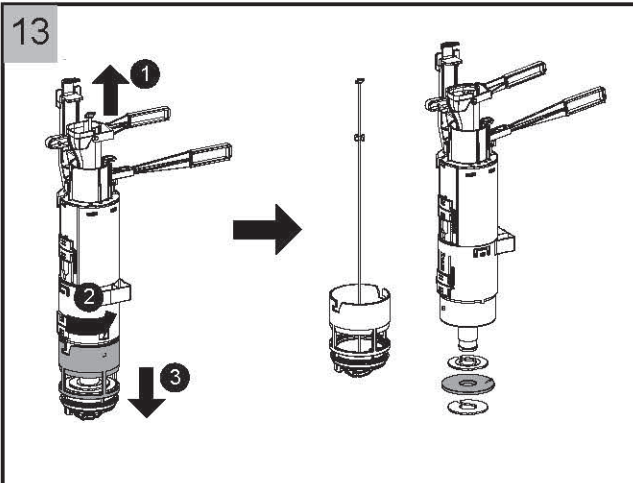
Maintenance for Concealed Cisterns



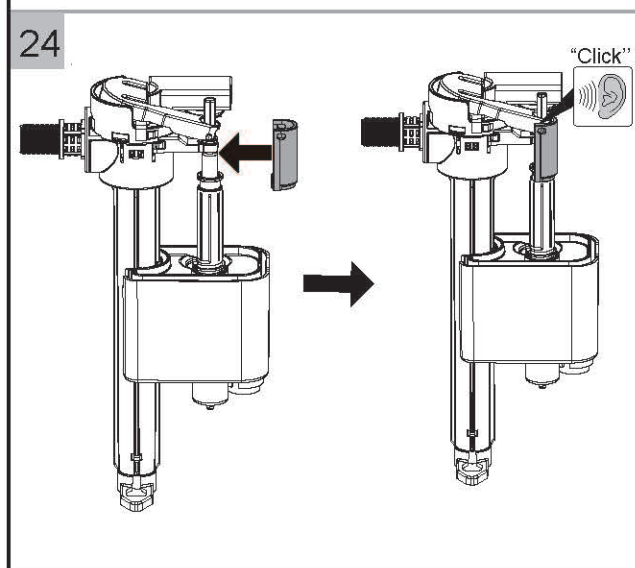
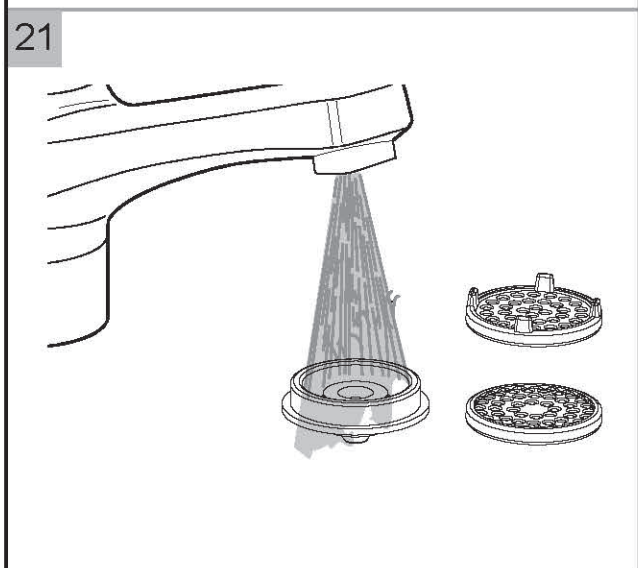
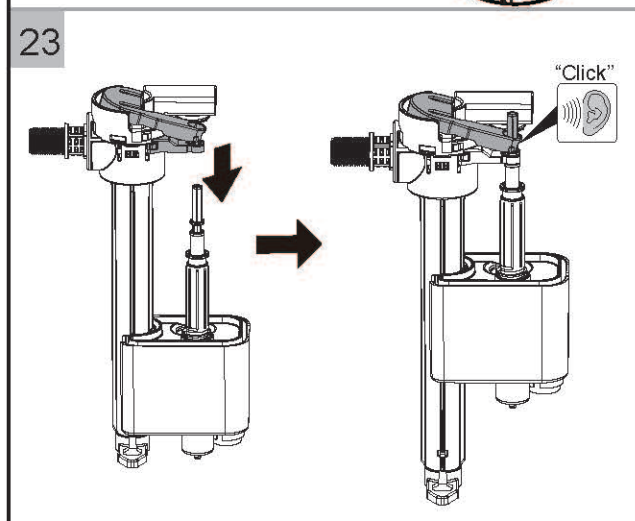
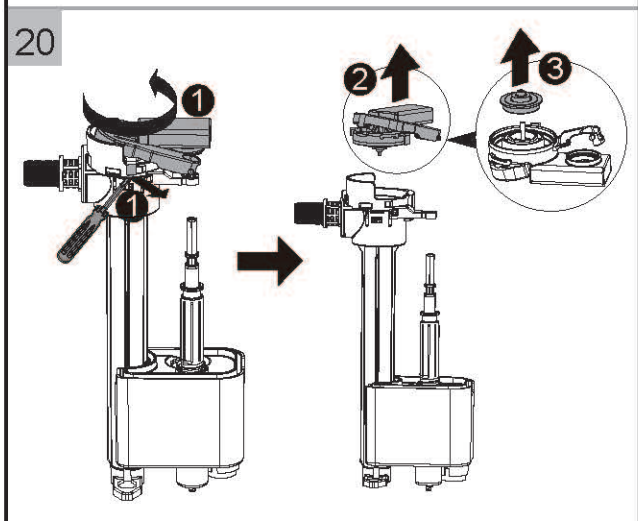
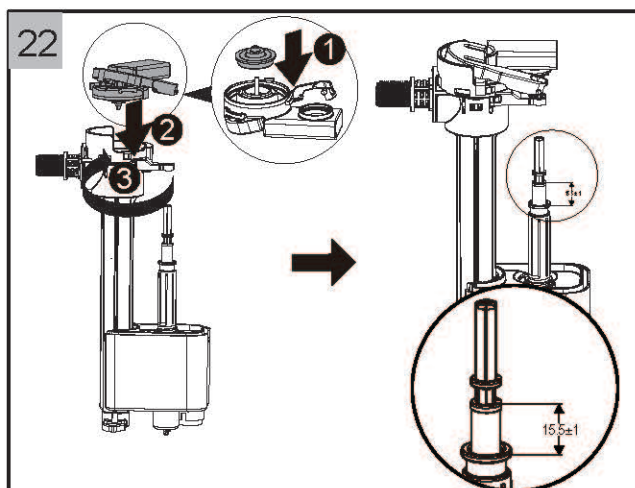
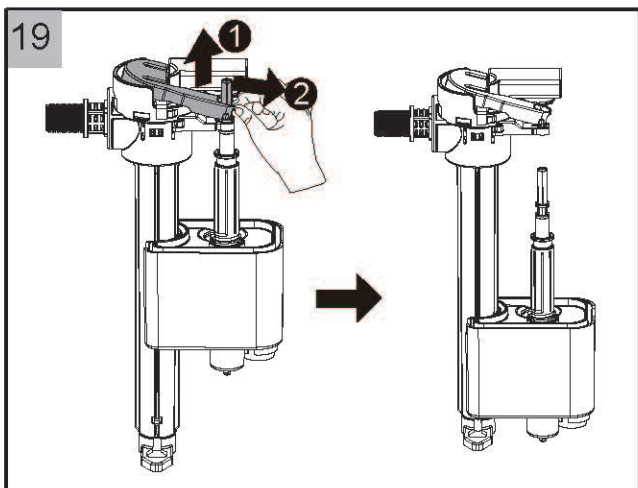
Maintenance for Concealed Cisterns



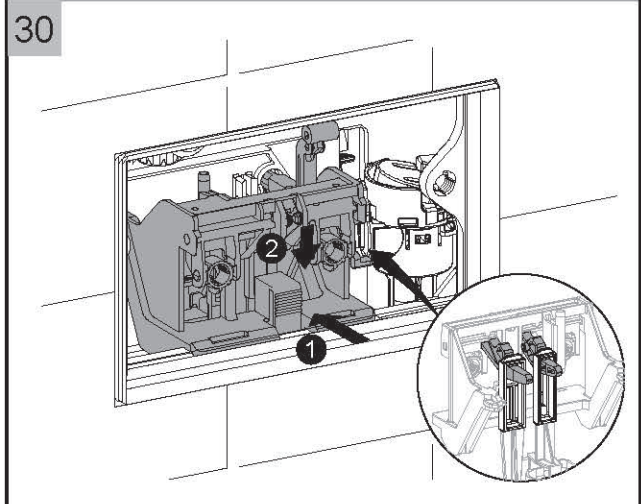
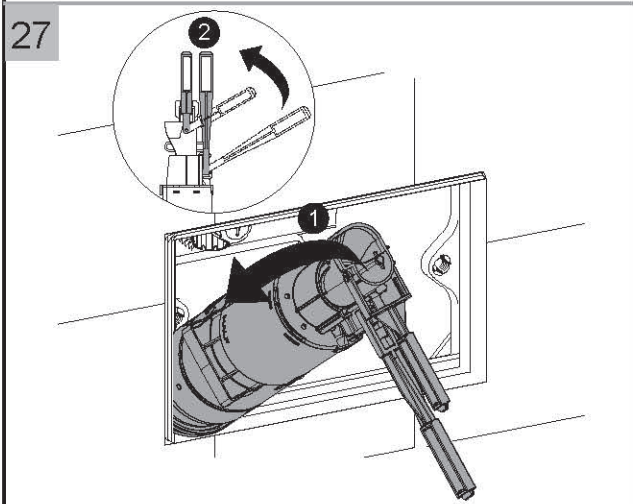
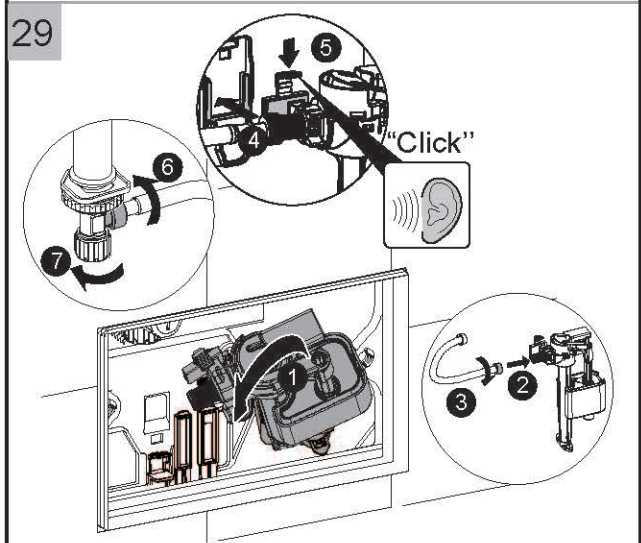
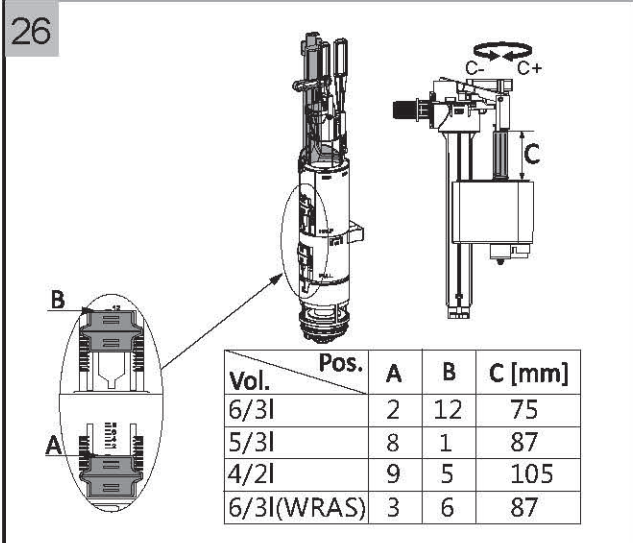
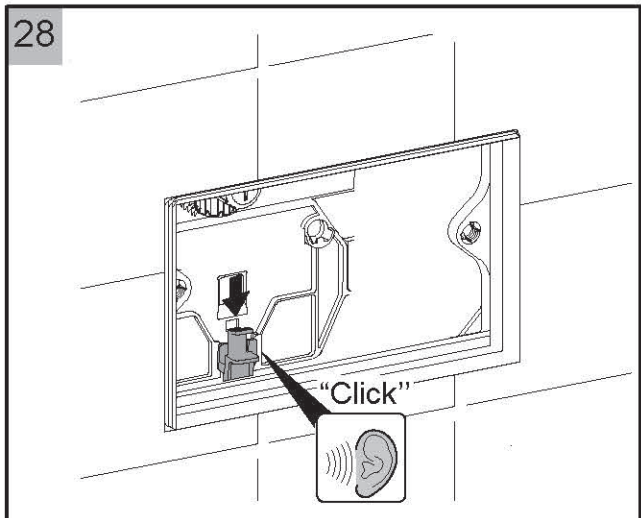
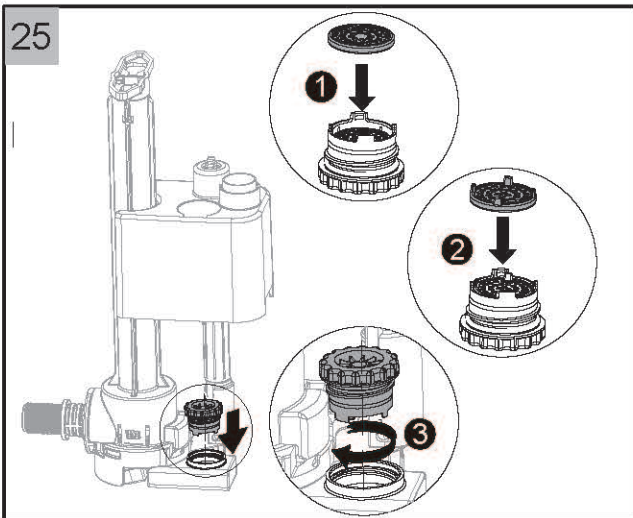
Maintenance for Concealed Cisterns



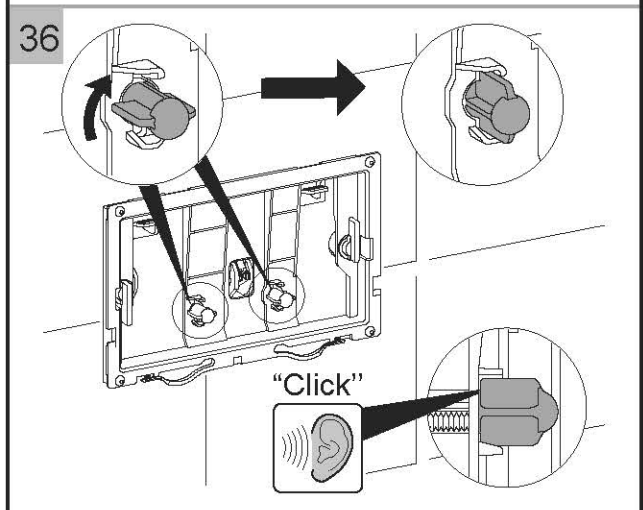
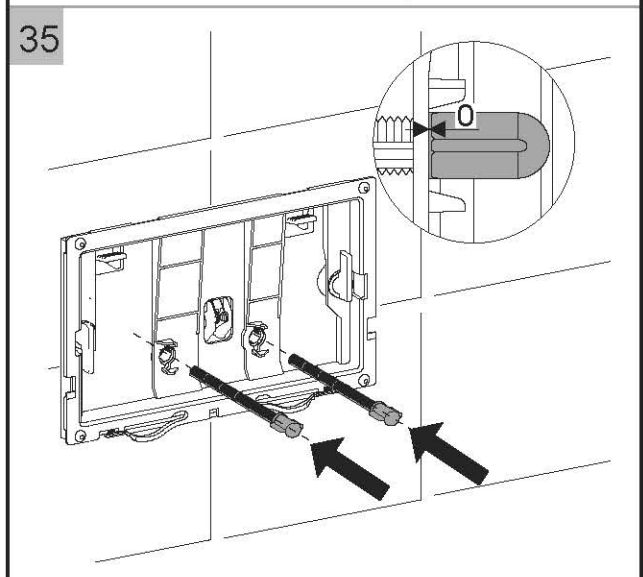
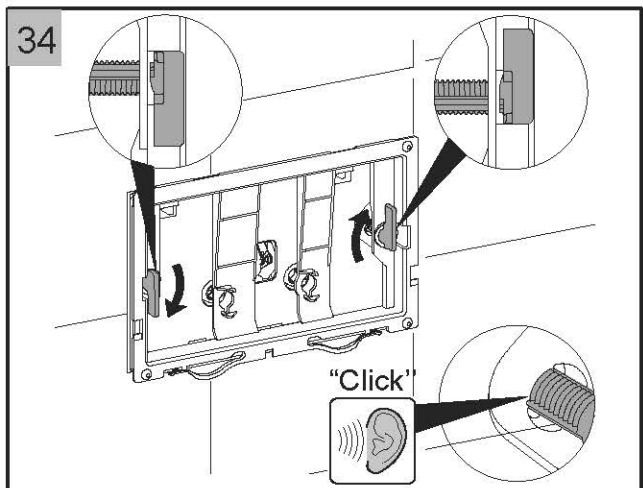
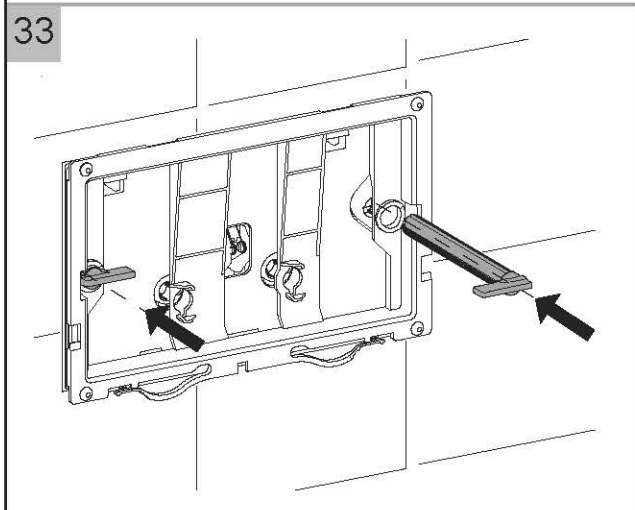
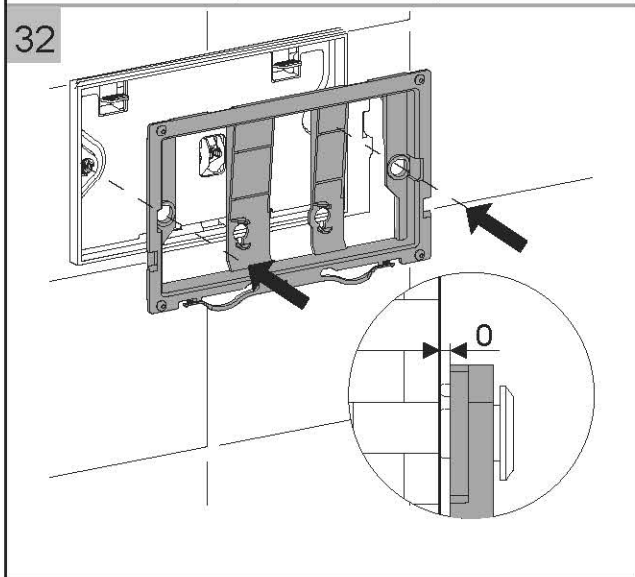
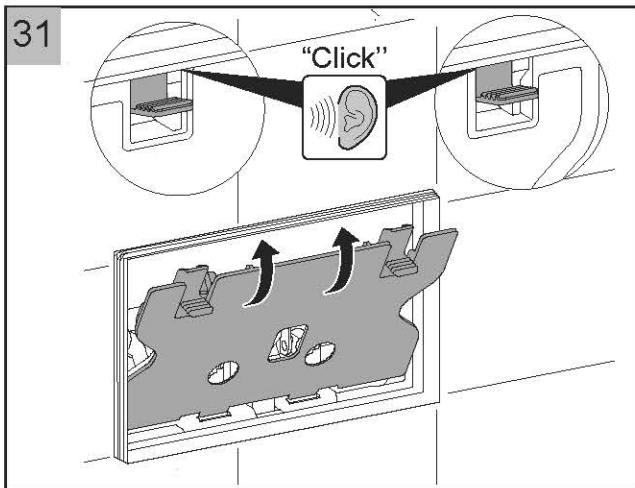
Maintenance for Concealed Cisterns



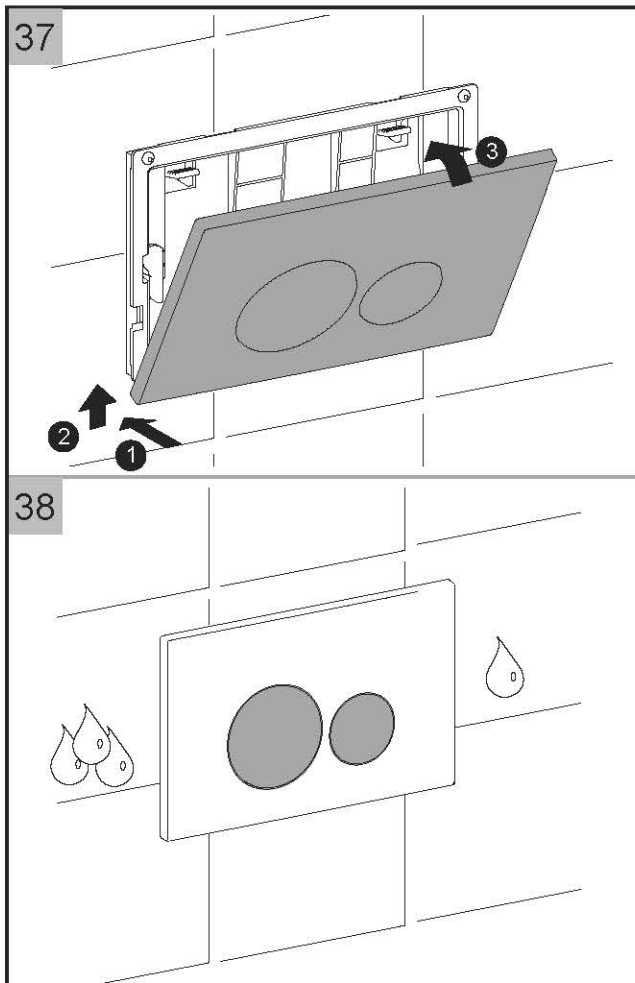
Maintenance for Concealed Cisterns



Maintenance for Concealed Cisterns



Maintenance for Concealed Cisterns



For any further information please contact

Crosswater on: **0345 873 8840**

Or visit our web-site at:

www.crosswater.co.uk