

Tools & equipment needed: Drill, 8mm Suitable drill bit, Phillips screwdriver, Spirit level, Ruler/tape measure, Pencil, Silicone sealant (clear).



IMPORTANT - Advice and safety - Please read before installation

Please read these instructions carefully before starting installation and keep in a safe place for future reference.

Check the contents of the pack carefully before installation. Crosswater will not be held responsible for any de-fit / re-fit costs where faulty product has been fitted.

If any fault is found with materials or workmanship, it must be reported immediately to the manufacturer. Remedial action will be taken, based on information received, on condition that:

1. Full details are supplied to the manufacturer; 2. The product has not been modified or tampered with; 3. The manufacturer is informed of any damage/shortages prior to installation.

We do not accept responsibility for any problems that may occur through incorrect installation.



Advice & Safety

This product should only be installed by a suitably qualified Plumber/installer. Should the installation be completed by a non-qualified person any product guarantee maybe considered invalid. For a claim made under our warranty written certification of your installers qualifications can be required.

It is advised that all doors and drawers are removed prior to fitting to avoid unnecessary damage occurring.

Ensure the room is well heated and ventilated.

It is recommended that walls are fully tiled before furniture and accessory installation. This ensures that the product is installed flat to the tile face and allows product to be easily removed if required in the future.



To ensure full working use of the drawers we recommend the use of Bauhaus basin furniture trap BTR0510W

These instructions have been prepared for your guidance, you must exercise due care always.

Please note that some units are heavy. Always take care when lifting, and follow health and safety guidelines. It is recommended that 2 people carry out the installation of larger basin/vanity units.

Warning! ! Please check for any hidden pipes or electrical cables before drilling holes in the floor or walls.

When using power tools always follow the manufacturer's user instructions.

Do not over tighten tap or waste fittings, doing so may result in damaging the basin.

The vanity units CAN ONLY BE installed using the fitting brackets supplied. Before installing a wooden bathroom product into a new property, extension or recently plastered room we strongly advise the building/room is completely dry, well ventilated and adequately heated prior to installation.

Care & Cleaning.

NEVER use products containing bleach, cleaners of a gritty or abrasive nature or so called "glass and mirror" cleaning products. Use a well wrung chamois leather or microfiber cloth for furniture carcasses.

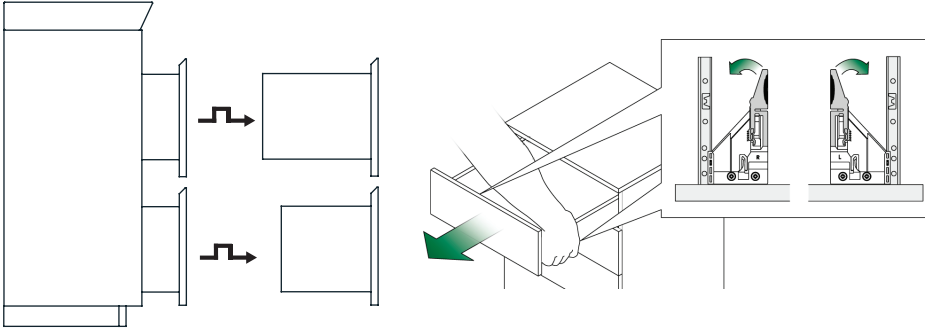
Ceramic fine fire clay wash basins should only be cleaned with a mild detergent or warm soapy water; in hard water areas a good quality limescale remover can be applied.

If any maintenance is required, then it must be carried out by a qualified Plumber.

INSTALLATION INSTRUCTIONS

Two Drawers Basin Unit & Basin Installation - 600-700-1200 Basin Unit

Step 1

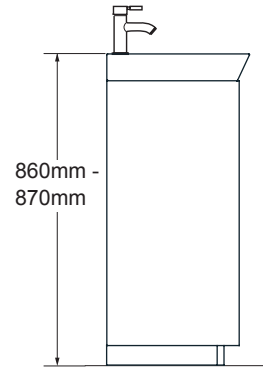


Remove the drawers

Remove the drawer before installation.

Pull out the drawer to its full extension, gently squeeze the locking levers outwards on both sides and pull the drawer off the runners at the front.

Step 2



Plan unit position: Basin

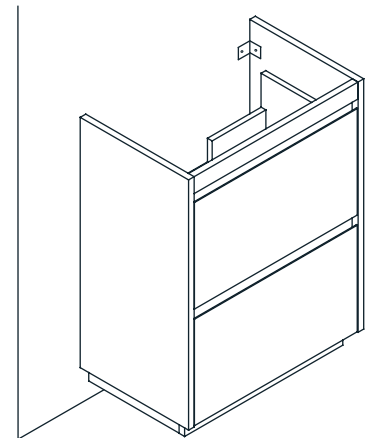
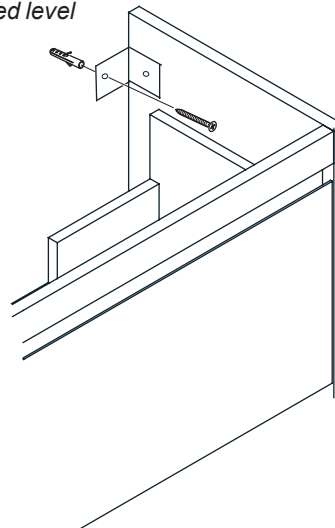
Decide on the position of the unit.

Step 3

'Wall bracket' installation

- a: Place the unit on the furniture site
- b: Mark the bracket fixing holes onto the wall. Drill Ø 8mm holes, insert the wall plugs supplied on solid walls, use suitable wall fixings for dry-wall (not supplied).

Important: If the basin unit and/or basin are not fitted level this may result in the basin not draining correctly.

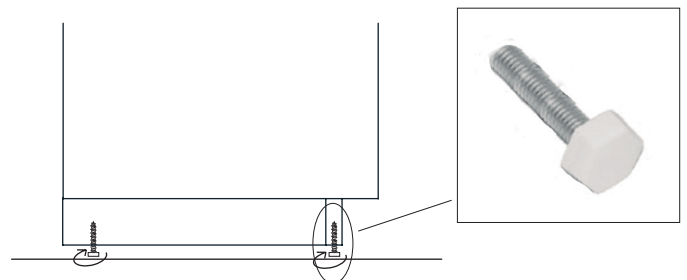


Step 4

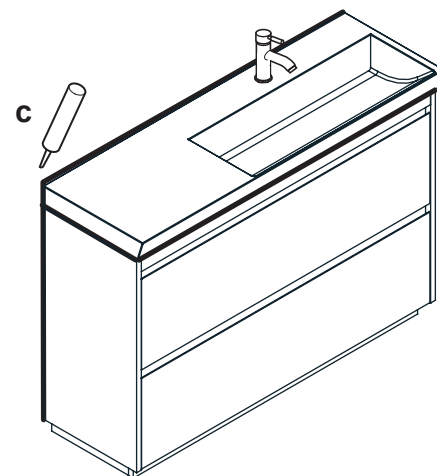
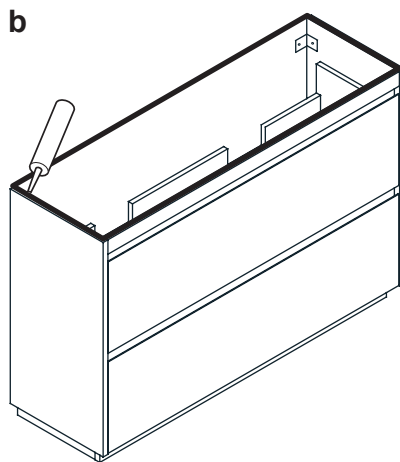
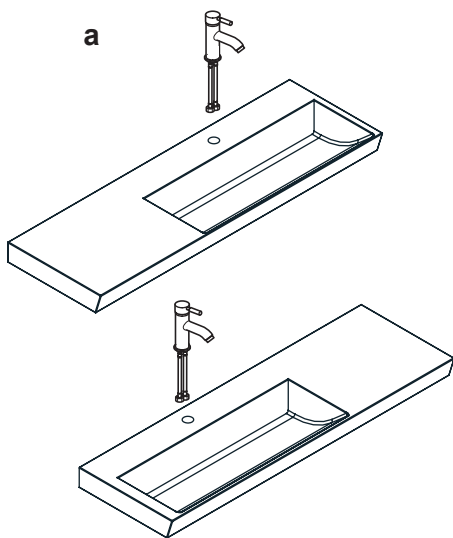
Height Adjustment

When the furniture is fixed to the wall, it can be adjusted if necessary.

- a: To adjust the furniture, turn the adjustment screws, located on the bottom of the furniture, until the furniture is completely straight.



Step 5



Basin Installation

a: Attach the tap to basin and carefully bed in the waste using silicone only.

b: Carefully apply silicone to the top edges of the unit.

c: Carefully position the basin down onto the unit, ensure it is centrally positioned and flush at the back.

Connect the tap and waste.

Apply silicone to the join between the basin and wall and down sides of the unit.

Leave silicone, 24 hours to dry.

Note: Basin waste and taps fittings when over tightened can create stress within the basin material which may in time cause the failure of the product. Waste fittings should be carefully bedded in silicone and the back-nut hang tightened

an additional quarter turn using a suitable spanner is sufficient to create the required water light seal. Care should also be taken when fitting brassware to tap platforms in order to prevent similar stress related failures.

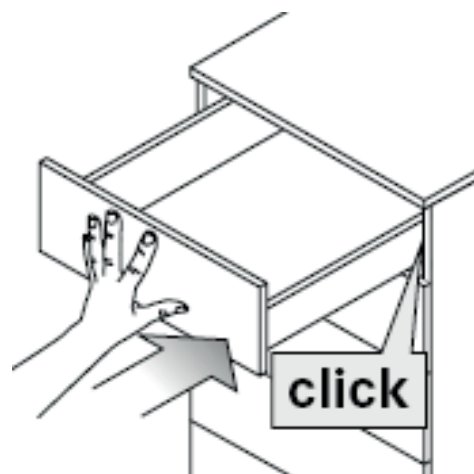
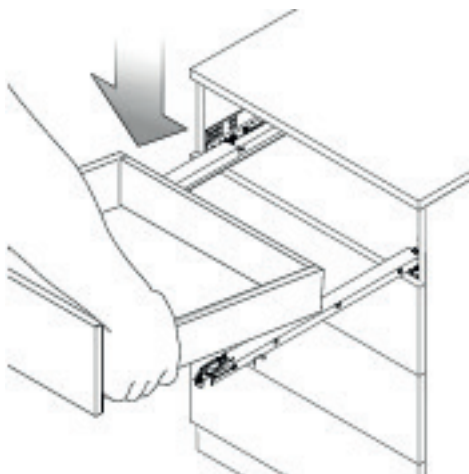
Step 6

Inserting the drawer:

Place the drawer on the extended slides.

Push the drawer fully home.

Drawer engages automatically!



RUNNER ADJUSTMENTS

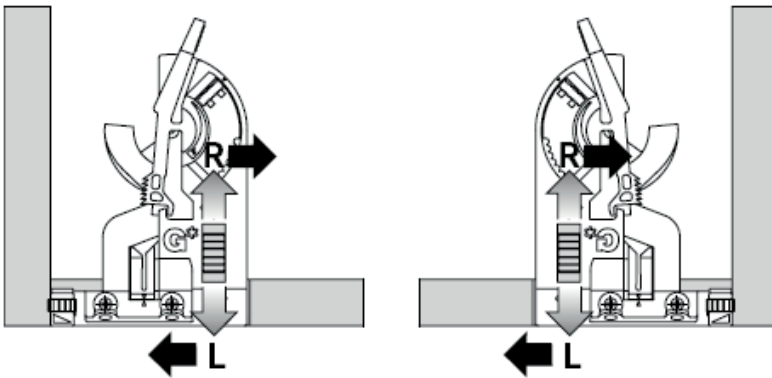
Step 1



Front tilt adjustment

Move the green tab until the front tilt is adjusted.

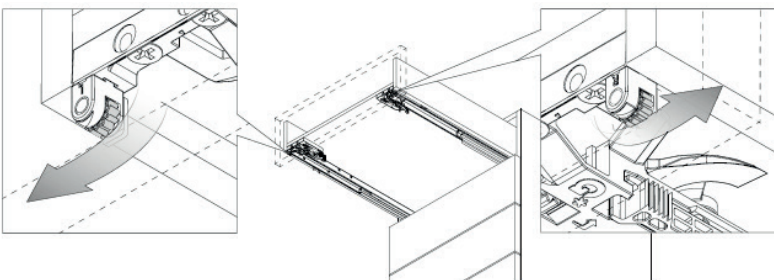
Step 2



Side adjustment

Turn the green wheel up to adjust right and down to adjust left.

Step 3



Depth adjustment

Turn the green wheel down until the depth is adjusted.

crosswater™

For any further information please contact

Crosswater on: **0345 873 8840**

Or visit our web-site at:

www.crosswater.co.uk

The manufacturer reserves the right to make technical modifications without prior notice.